

# M<sup>1980</sup> MONZA

Chevrolet



## 1980 CHEVY MONZA.

Some cars just naturally have a way of giving you what you want. Like the 1980 Chevy Monza.

Its sleek, aerodynamic look invites you to get in and enjoy yourself. And once inside, that sporty feeling a Monza gives you continues

That's because Chevy Monza has many of the kinds of standard features that can help to put an extra bit of enjoyment into your driving.

Like high-back front bucket seats that support you firmly and comfortably. A steering wheel with a cushioned rim. And a standard AM radio to provide you with your kind of music (may be deleted for credit).

Added to these is a bundle of other standard features including: a Four-Speed fully synchronized manual transmission. A center shift console (except Monza Coupe). Tinted glass all around. White-stripe tires. Sporty wheel covers. Color-keyed seat and shoulder belts. And more.

They're all standard features on the 1980 Chevy Monza.

So don't be surprised when you slip into the driver's seat of the new Chevy Monza and discover it's packed with value in the things you want. Features that add an extra measure of fun to your driving. And an extra measure of excitement to the road up ahead.

The 1980 Chevy Monza. Your kind of features. Your kind of fun.

### A WORD ABOUT THIS CATALOG:

We have tried to make this catalog as comprehensive and factual as possible. And we hope you find it helpful. However, since the time of printing, some of the information you'll find here may have been updated. Also, some of the equipment shown or described throughout this catalog is available at extra cost. Your dealer has details

and, before ordering, you should ask him to bring you up to date.

The right is reserved to make changes at any time, without notice, in prices, colors, materials, equipment, specifications and models, and to discontinue models. Check with your Chevrolet dealer for complete information.



On cover: Monza 2 + 2 Sport Hatchback Coupe shown in white with available Spyder Equipment Package and white-lettered tires which are supplied by various manufacturers.

Monza 2 + 2 Hatchback Coupe shown in red with available Sport mirrors and wheel opening moldings.

## MONZA MODELS.

Sleek. Dynamic. That's the kind of car a Monza is... excitement on wheels. Start it up. Feel it come alive. Then head for the open road. That's where you'll see the other side of a Monza. Its trim-sized maneuverability. A road-loving suspension to help smooth out bumps. Its interior comfort.

### Monza Coupe

The Monza Coupe's fashionable roof line develops an image all its own. An image of soft-lit elegance and gracious good looks. You can even

add more formality with the available Cabriolet roof cover. It's a Monza that steps out in style with its black grille, full wheel covers, bumper guards and rub strips, and its distinct roof line that adds a bit more rear seat head room than with hatchback models.

But the Monza Coupe isn't all style and formal good looks. Underneath, it's still excitement on wheels, with a desire for the open road.

### Monza 2 + 2 Hatchback Models

Practicality is bred into a Monza, too, with two distinctively styled hatchback models. The 2 + 2 Sport Hatchback Coupe's sleek, sloping hood ends

with a resilient body-color front end. Added to that are definite touches of sport styling flair: dual-unit rectangular headlights, a black front air dam, wraparound taillights, finned wheel covers and a sprinkling of black-accented chrome that sets it apart from the crowd. The lower priced Monza 2 + 2 Hatchback Coupe leads off with such new features as a blacked-out grille, front and rear bumper guards and rub strips, and single-unit headlights in squared bright frames.

Either hatchback model can be downright fun to drive. But practical, too. Fold down that rear seat, raise



Monza Coupe shown in yellow with available Exterior Decor Package, Cabriolet roof cover, removable sunroof, Sport mirrors and electric rear window defogger.



Monza 2 + 2 Sport Hatchback Coupe shown in red with available Sport mirrors and wheel opening moldings.

the hatch and you've got wagon-like utility with more than 27 cubic feet of

storage room. Enough room for your luggage...or groceries...or golf bags

...and more. Space to be practical with, sporty good looks for fun.



Monza Coupe shown in silver with available Sport mirrors and Exterior Decor Package.

| INTERIOR COLORS                 | Black | Blue | Camel | Carmine | Oyster |
|---------------------------------|-------|------|-------|---------|--------|
| <b>MONZA SPORT INTERIOR</b>     |       |      |       |         |        |
| 2 + 2 Sport Hatchback Coupe     |       |      |       |         |        |
| Custom Vinyl                    | •     | •    | •     | •       | •      |
| Custom Cloth                    |       | •    | •     | •       |        |
| <b>MONZA CUSTOM INTERIOR</b>    |       |      |       |         |        |
| Coupe and 2 + 2 Hatchback Coupe |       |      |       |         |        |
| Custom Vinyl                    | •     | •    | •     | •       | •      |
| Custom Cloth                    |       | •    | •     | •       |        |
| <b>MONZA STANDARD INTERIOR</b>  |       |      |       |         |        |
| Coupe and 2 + 2 Hatchback Coupe |       |      |       |         |        |
| Vinyl                           | •     | •    | •     | •       |        |
| Cloth                           | •     |      | •     |         |        |

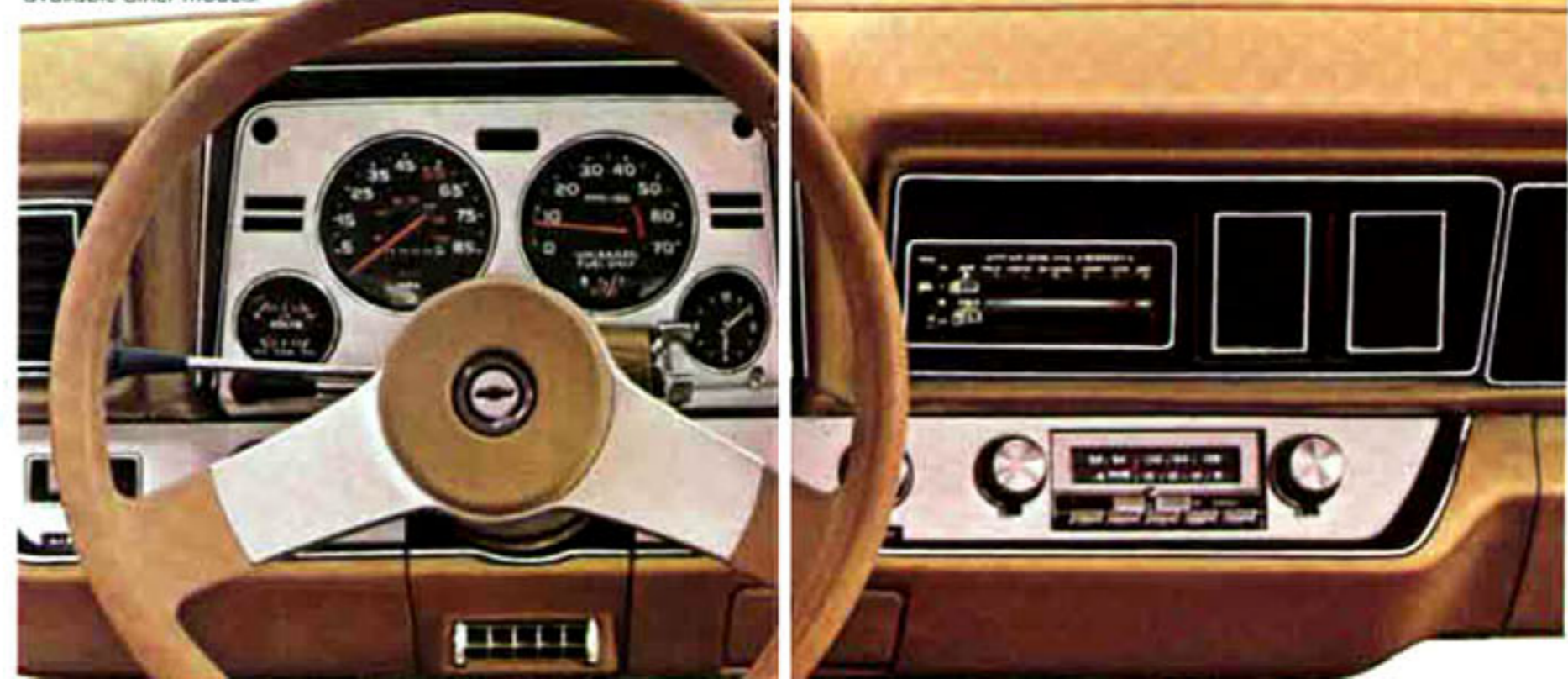
| EXTERIOR COLORS          | Black | Blue | Camel | Carmine | Oyster |
|--------------------------|-------|------|-------|---------|--------|
| Beige                    | •     | •    | •     | •       |        |
| Black                    | •     | •    | •     | •       | •      |
| Blue, Dark (Metallic)    | •     | •    | •     | •       | •      |
| Blue, Light (Metallic)   | •     | •    |       |         | •      |
| Camel, Light (Metallic)  | •     |      | •     |         |        |
| Camel, Medium (Metallic) | •     |      | •     |         | •      |
| Cinnabar                 | •     |      | •     |         | •      |
| Claret, Dark (Metallic)  | •     |      | •     | •       | •      |
| Gray                     | •     | •    | •     | •       | •      |
| Green, Dark (Metallic)   | •     |      | •     |         | •      |
| Red                      | •     |      | •     | •       | •      |
| Silver                   | •     | •    |       | •       | •      |
| White                    | •     | •    | •     | •       | •      |
| Yellow                   | •     |      | •     |         | •      |

CABRIOLET VINYL ROOF COVERS available (Coupe only): White, Gray, Black, Light Blue (Metallic), Dark Green (Metallic), Light Camel (Metallic), and Dark Claret (Metallic).  
Check your dealer for complete information on vinyl roof availability.



Monza Custom cloth interior shown in camel with available automatic transmission. Standard Monza Sport; available other models.

Monza instrument panel with available gage package with tachometer, air conditioner and AM/FM stereo radio.



## MONZA INTERIORS.

Comfort and style. That's what a Monza interior is all about. Big, high-backed front buckets with molded, full foam cushions that put you and your passenger in driving ease.

Monza 2 + 2 Sport Hatchback seats go a step further with flared bolsters on seats and back for extra lateral support. They're also available on other Monza models. In addition, the striking interior accent is continued with eye-catching brushed aluminum trim on the instrument panel and cluster accents.

If you want even more, you'll find a whole list of available options on pages 10 and 11 to pick and choose from to make your Monza distinctly yours.

On California models the steering wheel, column and some areas of the instrument panel are black.



Monza standard vinyl interior shown in dark blue.



Monza 2 + 2 Sport Hatchback standard Custom vinyl interior shown in carmine. Also available on other models.

## STANDARD EQUIPMENT.

**1. Front disc/rear drum brakes.** A self-adjusting system. Fade-resistant front disc brakes have audible wear sensors to let you know when to replace linings.

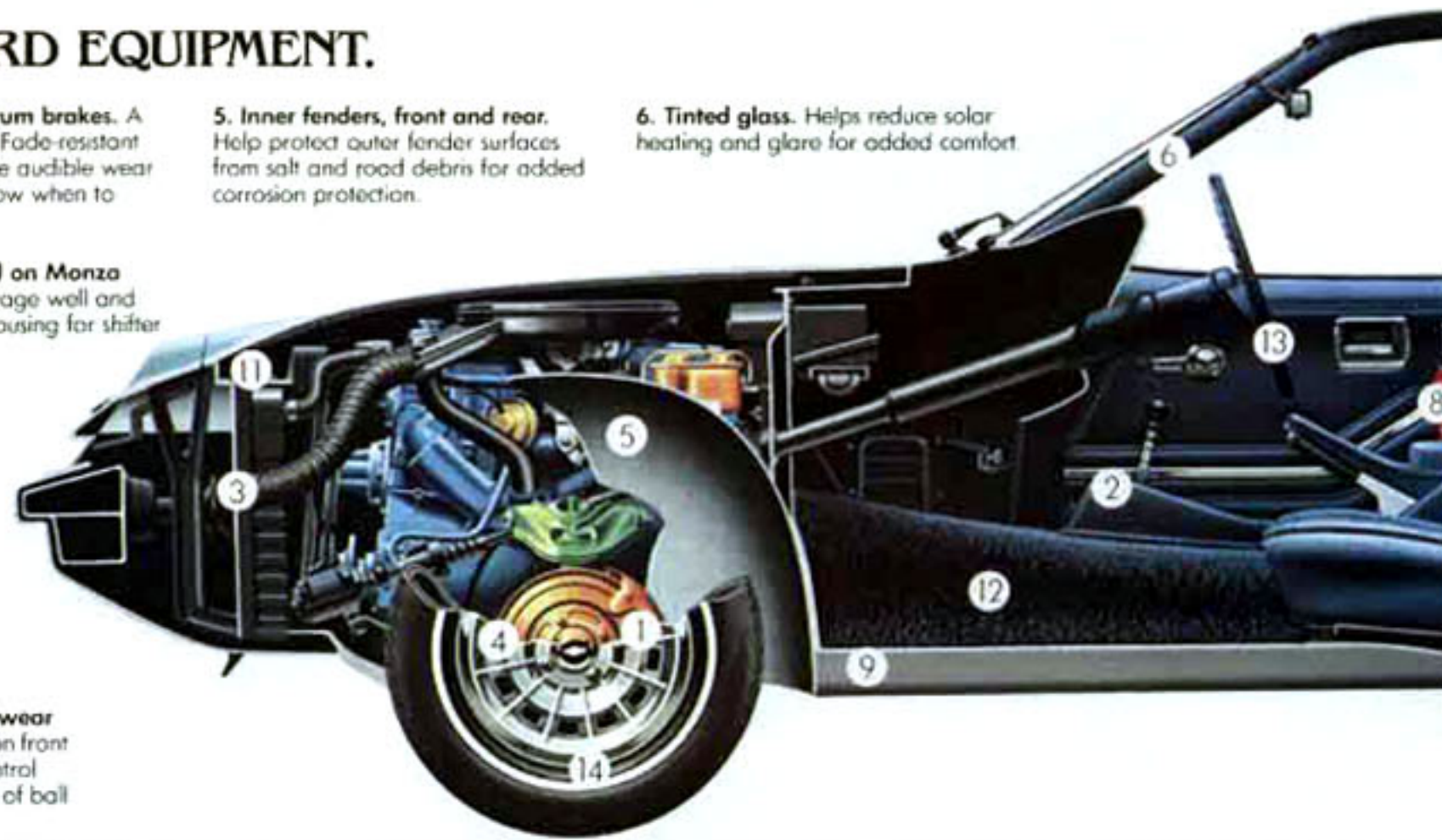
**5. Inner fenders, front and rear.** Help protect outer fender surfaces from salt and road debris for added corrosion protection.

**6. Tinted glass.** Helps reduce solar heating and glare for added comfort.

**2. Console (optional on Monza Coupe).** Includes storage well and provides attractive housing for shifter and parking brake.

**3. Carburetor outside air intake.** Ducts outside air through the air cleaner directly into the 4-cylinder engine's carburetor to help assure a denser fuel air mixture after the engine warms up.

**4. Visible ball joint wear indicators.** Located on front suspension lower control arms for visual check of ball joint wear.



**7. Torque-arm rear suspension.** Trailing-arm design helps control pitching motions during hard acceleration or braking.

**8. Double-wall construction.** Provides two layers of steel in doors, hood and deck lid.

**9. Integral body and frame.** Combines body and frame functions in one unitized, welded structure.

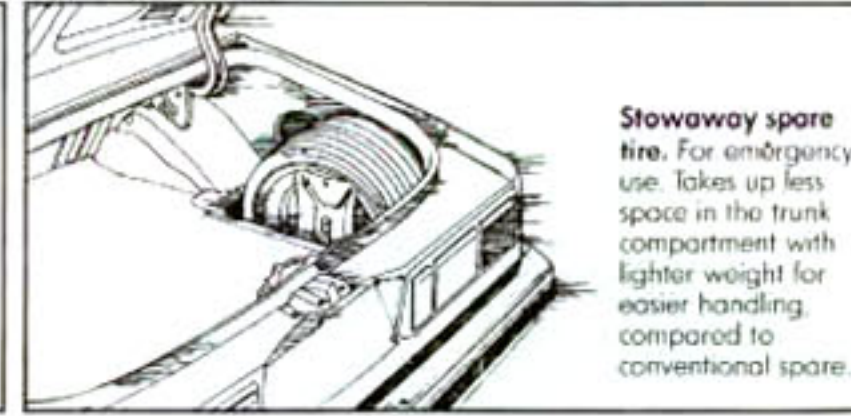
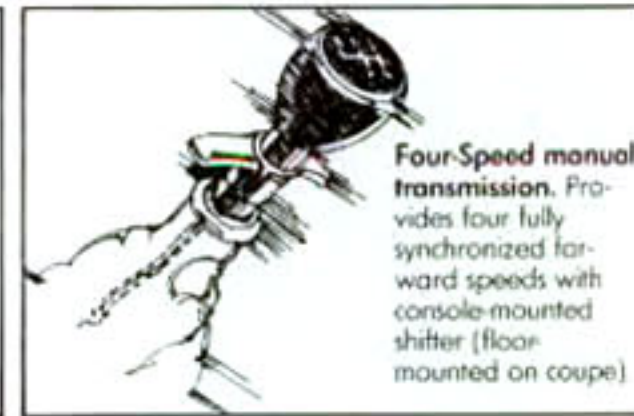
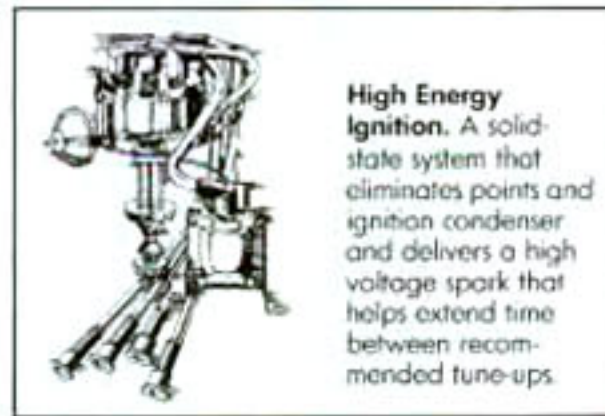
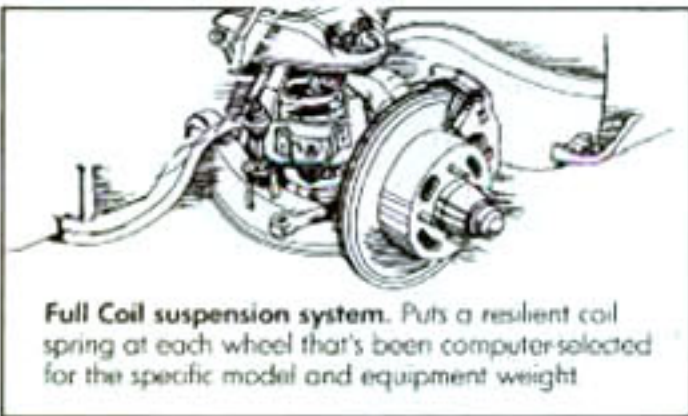
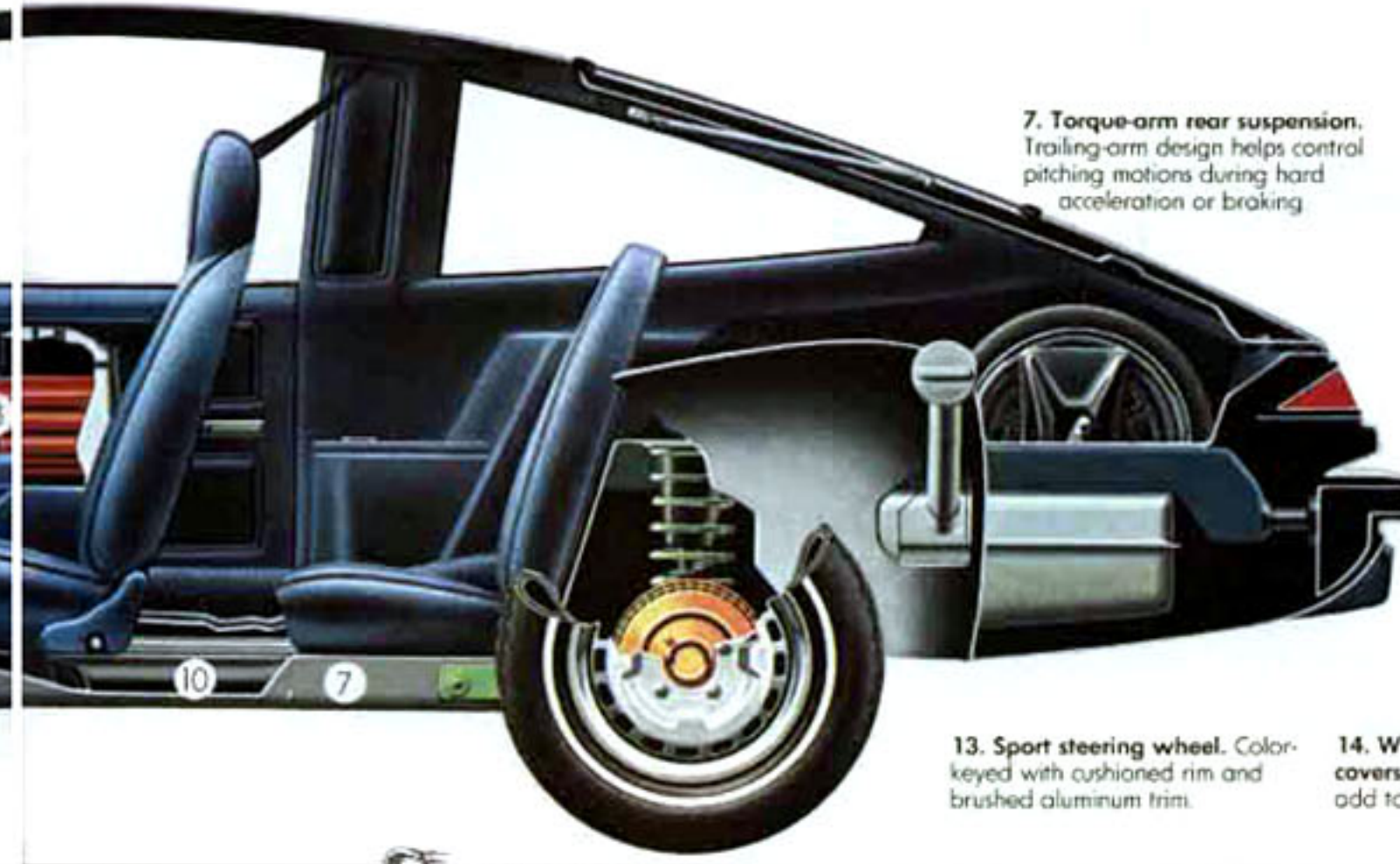
**10. Ventilated rocker panels.** Help resist corrosion by allowing air flow and water drainage at ends of panel.

**11. Delco Freedom battery.** Never needs refilling. Sealed side terminals help resist corrosion.

**12. Cut-pile passenger compartment carpeting.** Wall-to-wall luxury underfoot and color-keyed to interior trim.

**13. Sport steering wheel.** Color-keyed with cushioned rim and brushed aluminum trim.

**14. White-stripe tires and full wheel covers.** Attractive wheel accents that add to Monza's sporty looks.



**MORE STANDARDS**  
AM radio (may be deleted for credit)  
• Attractive acrylic finish • Extensive corrosion-resistant measures • Day/night inside rearview mirror • Deluxe color-keyed seat and shoulder belts • Cigarette lighter • Quiet hydraulic valve lifters • Delcotron generator with built-in solid-state regulator • Engine coolant recovery system • Energy absorbing bumper system • Body side moldings

**STANDARD EQUIPMENT ON MONZA MODELS**  
Black grille, bright chrome front and rear bumpers • Bumper guards and rub strips • Single-unit headlights with bright frames • Brushed metallic windshield wiper arms • Full wheel covers • White-stripe tires • And more.

**A WORD ABOUT ENGINES**  
Chevrolets are equipped with GM-built engines produced by various divisions. Please refer to the Monza Power Teams Chart shown on page 9 or see your dealer for details.

**3.8 LITER V6**  
A blend of six-cylinder performance and V8 smoothness. The engine block and heads are cast iron. However, the V6 configuration makes the engine lighter than some L6 designs and shorter, too. What's more, the V6 features offset crankshaft rod journals which assure a high degree of firing smoothness.

**STANDARD EQUIPMENT ON MONZA SPORT MODEL**  
Resilient body-color front end with integral body-color bumper guards and rub strips • Dual-unit rectangular headlights with bright frames • Black windshield wiper arms • Bright windshield moldings with black accents • Body-color door handle inserts • Deluxe silver wheel covers • White-stripe tires • Brushed aluminum instrument panel accents • And more.

**ENGINE SELECTIONS**  
Select from two engine classes: L4 or available V6. One's just right for you.  
**2.5 LITER L4**  
This standard engine is a modern large-bore, short-stroke design that features a rugged cast-iron engine block with five main bearings. Full-pressure lubrication and full-flow oil filter. Also includes a cross-flow cylinder head and Varajet staged, two-barrel carburetor for higher output at highway speeds.

**LONG RECOMMENDED SERVICE INTERVALS**  
(Under normal driving conditions)

|                                     |                          |
|-------------------------------------|--------------------------|
| Engine Oil                          | 12 months or 7,500 miles |
| Spark Plugs                         | 30,000 miles             |
| Chassis Lubrication                 | 12 months or 7,500 miles |
| Automatic Transmission Fluid Change | Every 100,000 miles      |

**MONZA POWER TEAMS**

| Engine  | ENGINE AVAILABILITY |                        |            | TRANSMISSION AVAILABILITY |               |
|---|---------------------|------------------------|------------|---------------------------|---------------|
|   | Ordering Code       | Displacement (cu. in.) | All Models | Four-Speed Manual (1)     | Automatic (1) |
| ALL STATES EXCEPT CALIFORNIA                            |                     |                        |            |                           |               |
| 2.5 Liter 2-Bbl. L4 (A)                                 | LX8                 | 151                    | Std        | Std                       | EC            |
| 3.8 Liter 2-Bbl. V6 (B)                                 | LD5                 | 231                    | EC         | Std                       | EC            |
| CALIFORNIA ONLY (with California Emission Requirements) |                     |                        |            |                           |               |
| 2.5 Liter 2-Bbl. L4 (A)                                 | LX8                 | 151                    | Std        | Std                       | EC            |
| 3.8 Liter 2-Bbl. V6 (B)                                 | LD5                 | 231                    | EC         | Std                       | EC            |

Std.—Standard EC—Available at extra cost  
(1) Console-mounted shift control standard on all models except Monza Coupe; included on Monza Coupe when ordered with available console. Floor-mounted shift control standard on Monza Coupe with manual transmission; mini console-mounted shift control included on Monza Coupe when ordered with available automatic transmission.  
(A) Produced by GM—Pontiac Motor Division  
(B) Produced by GM—Buck Motor Division

**DIMENSIONS (Inches)**

| EXTERIOR                          | 2 + 2 H/B COUPES | COUPE |
|-----------------------------------|------------------|-------|
| Wheelbase                         | 97.0             | 97.0  |
| Length (overall)                  | 179.9*           | 179.9 |
| Width (overall)                   | 65.4             | 65.4  |
| Height (loaded)                   | 50.2             | 49.8  |
| Tread—Front                       | 54.8             | 54.8  |
| Tread—Rear                        | 53.6             | 53.6  |
| INTERIOR                          |                  |       |
| Head Room—Front                   | 37.7             | 37.6  |
| Head Room—Rear                    | 35.3             | 37.2  |
| Leg Room—Front                    | 43.0             | 43.0  |
| Leg Room—Rear                     | 29.6             | 28.2  |
| Hip Room—Front                    | 47.5             | 48.6  |
| Hip Room—Rear                     | 42.0             | 42.0  |
| Shoulder Room—Front               | 51.0             | 51.7  |
| Shoulder Room—Rear                | 51.2             | 50.8  |
| Usable Luggage Capacity (cu. ft.) | 10.1             | 6.6   |
| Total Cargo Volume (cu. ft.)      | 27.8**           | —     |

\*179.3 on Sport model \*\*Rear seat down



## AVAILABLE OPTIONS.

1. **Folding rear seat.** Adds wagon-like utility to permit the carrying of skis and other long items inside your Monza Coupe (standard on Monza Hatchbacks).
2. **Automatic transmission.** Shifts for you in three forward gears; can also be shifted manually.
3. **Deluxe color-keyed wheel covers.** Turbine-styled with brake cooling ports. Finished in exterior body color with bright accents.

4. **Rally II wheels.** Bold, steel four-spoke design finished in dark argent. Bright wheel trim rings included. Standard on Spyder models.
5. **Intermittent windshield wiper system.** Ideal for use in light rain; driver can adjust interval between wiper strokes as needed.
6. **Removable sunroof.** A front-hinged glass panel that pops up for ventilation or can be completely removed. Includes handy stowage bag.
7. **Gage Package with tachometer.** Adds an electric clock, voltmeter and coolant temperature gage to your Monza instrument panel.

8. **Radio equipment.** Select from AM/FM radio, AM/FM stereo radio, AM radio or AM/FM stereo radio with 8-track stereo tape, AM/FM stereo radio with stereo cassette tape or AM/FM stereo radio with digital clock display. Rear seat speaker also available with AM or AM/FM radio.
  9. **Air conditioning.** Provides cooling, heating, and ventilating functions with easy-to-operate controls.
- Spyder Equipment Package** (shown below). Includes BR70-13 steel-belted radial ply blackwall tires; Sport

suspension; black front and rear bumper rub strips; black headlight frames; black windshield, belt, side and rear window moldings; black painted body sill; black door and center pillar louvers; black painted taillight frames; body color front air dam; body color rear spoiler; Spyder emblems on front panel and rear lock cover; black Sport mirrors (LH remote, RH manual); rear spoiler and body side stripes with Spyder lettering outlined in accent body color; Spyder hood decal; black-painted Rally II wheels with bright trim rings; Spyder identification on horn button.

### SAFETY FEATURES

#### OCCUPANT PROTECTION

Seat belts with push-button buckles for all passenger positions • Two front combination seat and inertia reel shoulder belts for driver (with

reminder light and buzzer) and right front passenger • Energy-absorbing steering column • Passenger guard door locks • Safety door latches and stamped steel hinges • Folding seat back latches • Energy-absorbing padded instrument panel and front seat back tops • Laminated windshield • Safety armrests.

#### ACCIDENT AVOIDANCE

Side marker lights and reflectors • Parking lamps that illuminate with headlamps • Four-way hazard warning flasher • Backup lights • Lane change feature in direction signal control • Windshield defrosters, washer and dual-speed wipers • Wideview inside mirror (vinyl-edged, shatter-resistant glass and deflecting support) • Outside rear-view mirror • Dual master cylinder brake system with warning light • Starter safety switch • Dual-action safety hood latches.

#### ANTI-THEFT

Anti-theft ignition key reminder buzzer • Anti-theft steering column lock.



**The GM CONTINUOUS PROTECTION PLAN.** Offers service protection in addition to that provided by GM's new vehicle limited warranty. Ask your dealer about it. Coverage is limited to U.S.A. and Canada for 1980 model year.

For a more complete list of available options, see back cover of this catalog.

### A WORD ABOUT ASSEMBLY, COMPONENTS AND OPTIONAL EQUIPMENT IN THESE CHEVROLETS

The Chevrolets described in this catalog are assembled at facilities of General Motors Corporation operated by the GM Assembly Division. These vehicles incorporate thousands of different components produced by various divisions of General Motors and by various suppliers to General Motors. From time to time during the manufacturing process, it may be necessary, in order to meet public demand for particular vehicles or equipment, or to meet federally mandated emissions, safety and fuel economy requirements, or for other reasons, to produce Chevrolet products with different components or differently sourced components than initially scheduled. All such components have been approved for use in Chevrolet products and will provide the quality performance associated with the Chevrolet name.

With respect to extra cost optional equipment, make certain you specify the type of equipment you desire on your vehicle when ordering from your dealer. Some options may be unavailable when your car is built. Your dealer receives advice regarding current availability of options. You may ask the dealer for this information. GM also requests the dealer to advise you if an option you ordered is unavailable. We suggest you verify that your car includes the optional equipment you ordered or, if there are changes, that they are acceptable to you.



Monza 2+2 Sport Hatchback Coupe shown in white with available Spyder Equipment Package and white-lettered tires which are supplied by various manufacturers.

## REASONS TO BUY MONZA.

- **STYLISH, SPORTY, FUN TO DRIVE. EASY TO OWN.**
  - RESPONSIVE ENGINES AND TRANSMISSION COMBINATIONS.
  - LONG RECOMMENDED SERVICE INTERVALS.
- **CHEVROLET'S LOWEST PRICED SPORTY CAR\***
- **HIGH LEVEL OF STANDARD EQUIPMENT.**
- **QUALITY ENGINEERED AND DESIGNED FOR VALUE.**
  - DOUBLE-PANEL CONSTRUCTION IN DOORS, HOOD AND DECK LID.
  - PROTECTIVE INNER FRONT AND REAR FENDER LINERS.
  - SELF-CLEANING ROCKER PANELS.

\*Based on a comparison of Chevrolet's Suggested Retail Prices.

## BUILD YOUR OWN MONZA.

(See your Chevrolet dealer for current ordering information and specific model/option availability)

### MODELS

- Monza 2 + 2 Sport Hatchback Coupe       Monza 2 + 2 Hatchback Coupe       Monza Coupe

### COLORS (See chart on page 6 for color availabilities and combinations.)

- Exterior color \_\_\_\_\_ Upholstery (vinyl or cloth) \_\_\_\_\_ Cabriolet roof cover \_\_\_\_\_  
Interior color \_\_\_\_\_ Interior trim (Custom or regular) \_\_\_\_\_ (Monza Coupe only)

### ENGINES (See chart on page 9 for engine availability.)

- 2.5 Liter (151 Cu. In.) L4 (Standard)       3.8 Liter (231 Cu. In.) V6 (Available)

### TRANSMISSION (See Chart on page 9 for transmission availability.)

- Four-Speed manual (Standard)       Automatic (Available)

## AVAILABLE OPTIONS.

- Air conditioning.
- Power brakes.
- Power steering.
- Electric clock.
- Color-keyed floor mats, front and rear.
- Folding rear seat for Coupe.
- Gage Package with tachometer.
- Auxiliary lighting.
- Quiet Sound Group.
- Cabriolet roof cover for Coupe.
- Removable sunroof.
- Spyder Equipment Package.
- Comfortilt steering wheel.
- Electric rear window defogger.
- Exterior Decor Package. (Includes: side window reveal moldings, wheel opening moldings, deluxe color-keyed wheel covers and deck-lid luggage carrier.)

#### MOLDINGS AND TRIM

- Wheel opening moldings.
- Door edge guards.

#### SOUND EQUIPMENT

- AM/FM radio.
- AM/FM stereo radio.
- AM radio with 8-track stereo tape.
- AM/FM stereo radio with 8-track stereo tape.
- AM/FM stereo radio with stereo cassette tape.
- AM/FM stereo radio with digital clock display.
- Rear seat speaker.

#### WHEELS AND WHEEL COVERS

- Rally II wheels.
- Deluxe color-keyed wheel covers.

#### SUSPENSION

- Sport suspension.

#### TIRES

- B78-13B bias ply white-stripe tires.
- BR70-13 steel-belted radial ply blackwall tires.
- BR70-13C steel-belted radial ply white-stripe tires.
- BR70-13C steel-belted radial ply white-lettered tires.

#### MIRRORS

- Sport, LH remote and RH manual.

#### MISCELLANEOUS

- Performance axle ratio.
- Limited slip differential.
- Heavy-duty battery.
- Heavy-duty radiator.
- Front air dam and rear spoiler for Sport Hatchback.
- Front stabilizer bar.

