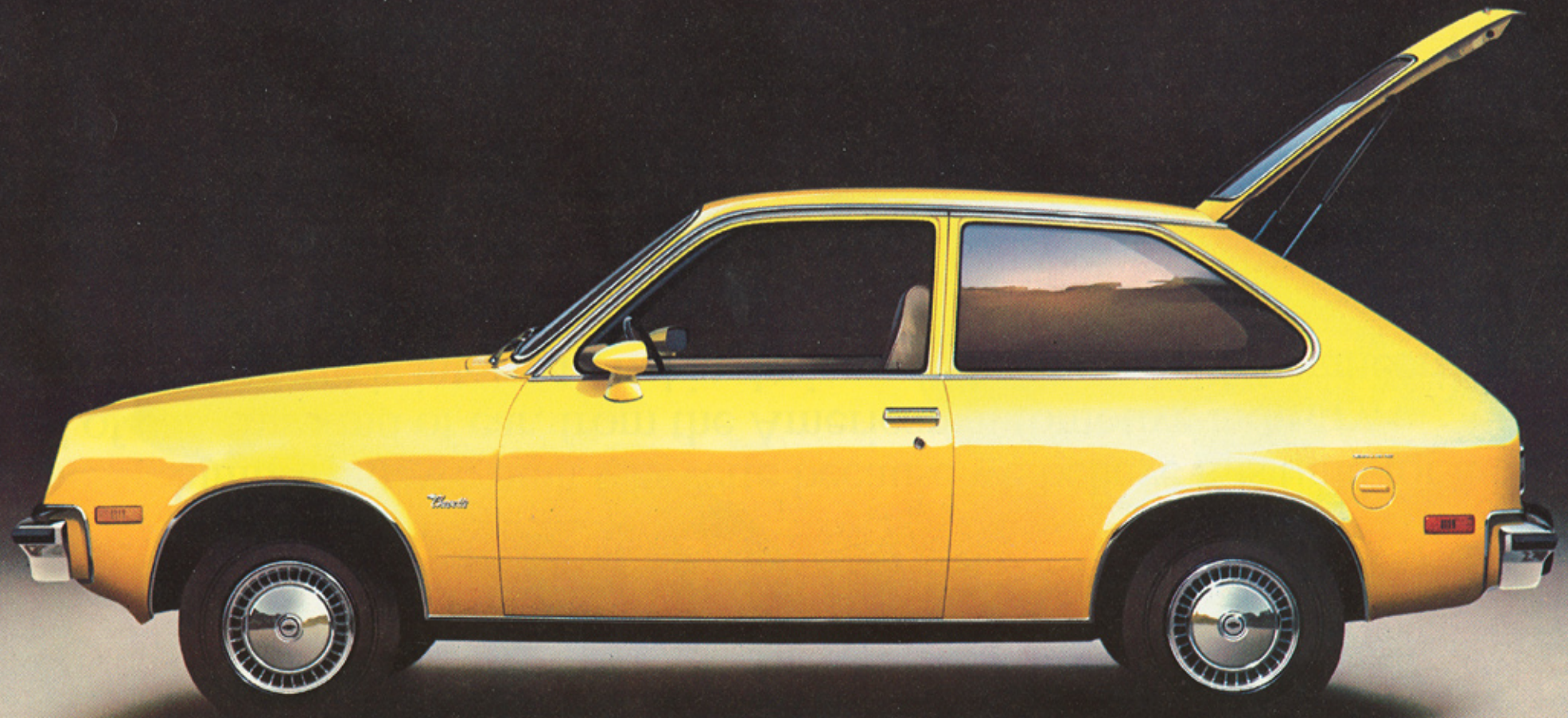


# 1976 Chevette.

A new kind of American car.





# How you can order the Chevette.



## **Chevette Coupe.**

This is the basic economy version of our four-passenger Chevette lineup. But don't let its low price sticker imply we've skimped on quality and features. Standard is the 1.4-litre 4-cylinder OHC engine, along with wall-to-wall carpeting, wide hatch with supports, fold-down rear seat, glove compartment, bright bumpers and trim moldings, acoustical insulation, and more.



## **Chevette Sport Coupe.**

If you like your car to have a trim, sporty appearance, this version was designed for you. Bold sport stripes, black accents plus all the standard features of the coupe, including your choice of 14 bright exterior colors. Four colors—light blue metallic, lime green, burnt orange and light red—are exclusive to Chevette among all 1976 Chevrolets.







### **Chevette Rally Coupe.**

This car looks like a performer, and it has the special equipment to do it. Standard are the larger 1.6-litre 4-cylinder OHC engine, special suspension with rear stabilizer bar, special instrumentation with tachometer and temperature gauge, sport shifter, sport steering wheel and passenger assist grip. Special identification, Rally-style wheel covers and black rocker panels give this Chevette a look all its own.



### **Chevette Woody Coupe.**

The Woody has the stylish look of a mini-Estate wagon. It has wood-grain vinyl exterior trim, a Custom Interior with wood-grain vinyl accents on the instrument cluster, a sport steering wheel and day-night rearview mirror. Included, too, are bright window moldings, wheel trim rings and a deluxe grille with bright accents.

**EXTERIOR COLORS.** For any of the above Chevettes, choose from antique white, silver, light blue metallic, dark blue metallic, lime green, bright yellow, cream, burnt orange, medium orange, firethorn metallic, light red, black, dark green metallic and buckskin.

## **Chevette Scooter.**



Introducing the Scooter, our lowest priced Chevette and a new kind of all-purpose, economy car just right for today's needs like shopping, commuting and pleasure driving. It has two full foam-cushioned front bucket seats, efficient 1.4-litre 4-cylinder OHC engine and synchronized 4-Speed manual transmission. There's less standard equipment than on the Chevette Coupe, but Scooter's price is less, too.

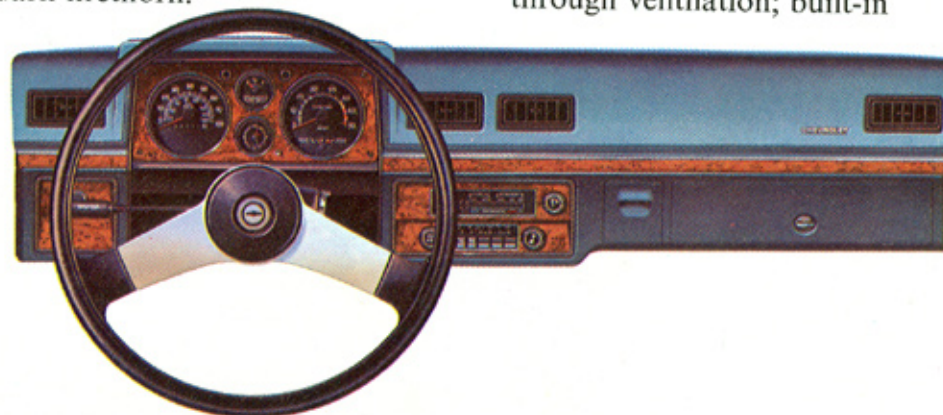
**SCOOTER COLORS.** Select from light blue, antique white, cream and light red.



# What it's like inside Chevette.

Just because Chevette Coupe is economical in price, efficient in size and easy on gas doesn't mean its interior has to be less comfortable, less attractive than you want your car to be. Take a look at the front seats. They're thick foam, contoured buckets for comfort and support. The retractor for the combination seat-and-shoulder belt is hidden in the body pillar. Inertia-type seat locks securely hold the backrest in a sudden stop but allow easy entry into the rear seat. Also, the rear seat is full width with thick foam cushions. Front and rear seats are

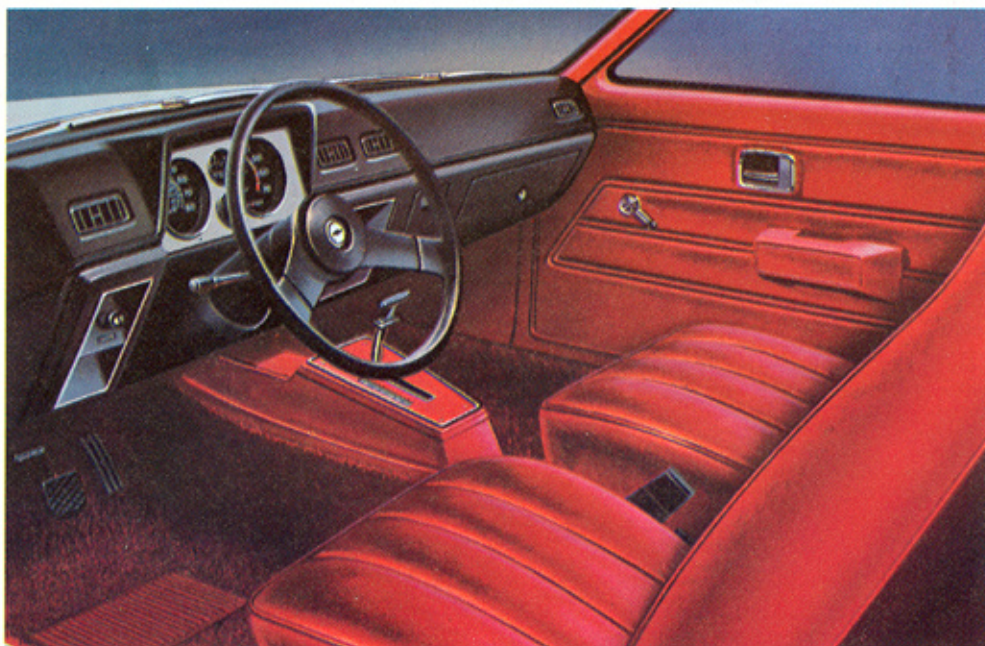
upholstered in soft vinyl in your choice of black, dark blue, light buckskin or dark firethorn; also, cloth-and-vinyl in light buckskin or dark firethorn.



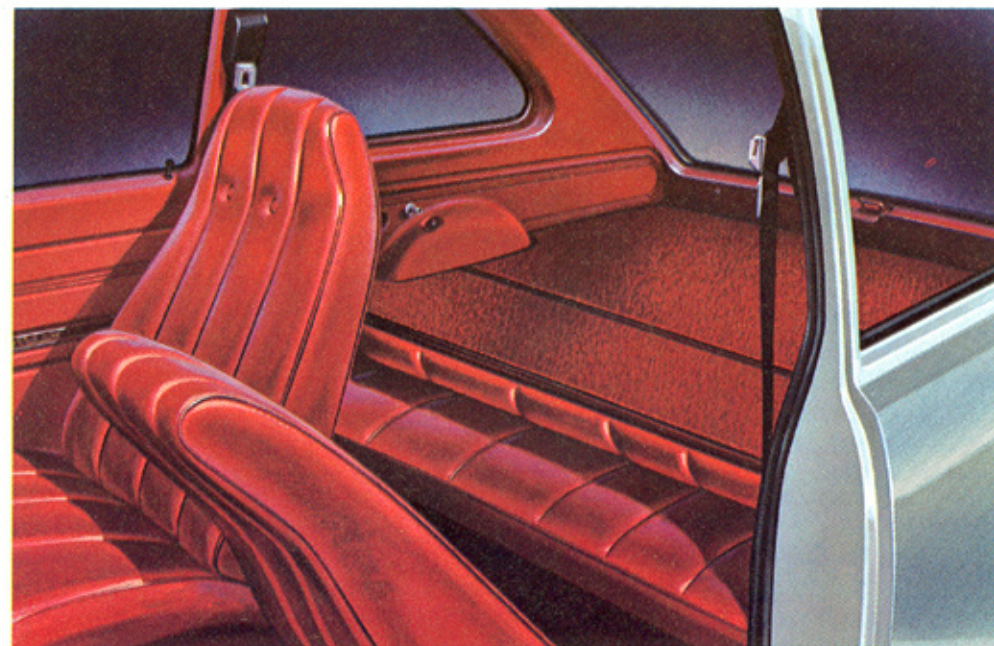
Other standard features inside the Chevette Coupe include: generous head, shoulder and hip room for four passengers; flow-through ventilation; built-in

heater/defroster; choice of accent colors for the cowl panels and carpeting; black instrument panel; and a specially designed steering wheel that helps provide visibility for all instrumentation.

The instrument panel is cluster-designed for easy viewing with a speedometer that indicates both miles per hour and kilometers per hour, a fuel gauge, and warning lights for temperature, generator and oil pressure. (Special instrumentation with tachometer and temperature gauge is available.)



A floor-mounted 4-Speed manual transmission is standard. The color-keyed carpeting is standard, too, on Chevette Coupe (a luxury usually not found in small, economy cars). There's even a glove compartment with a latch-type door.



The rear seat on Chevette Coupe folds down to give a roomy, wagon-like area for carrying larger items. There's also out-of-sight storage under the easily removed floor panel, where the spare tire is hidden from view.





If you like the special touch of added comfort and beauty, Chevette's available Custom Interior is right for you. The seats are available in new rattan-pattern all-vinyl in black, light buckskin, dark blue, dark firethorn or white. Or choose Rutledge sport cloth-and-vinyl in black, light buckskin, dark blue or dark firethorn. Also included: deluxe door trim, wood-grain vinyl accents on the instrument cluster, sport steering wheel, day-night rearview mirror, carpeting for the cargo area and added acoustical insulation.

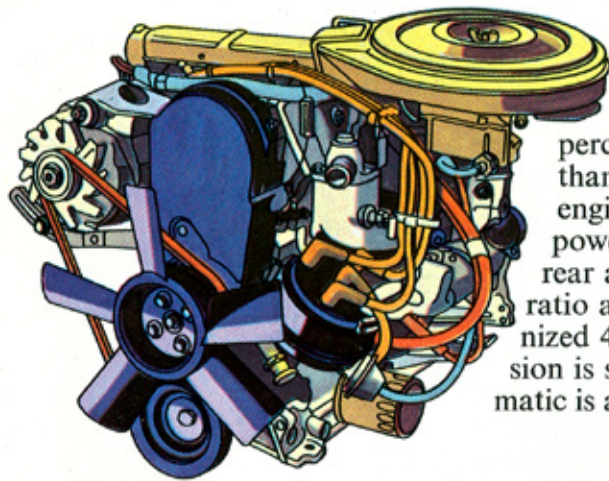
The Scooter interior is a basic 2-passenger design with roomy rear area cargo space. Standard upholstery choices are all-vinyl or cloth-and-vinyl; passenger compartment floor covering is black carpet; the glove box is an open compartment.





# What you can add to Chevette.

Chevrolet offers a wide selection of available options to personalize your new Chevette. Some are described here and there are more on the back cover. Availability often depends on the model and other equipment selected. Your Chevrolet dealer can answer any questions, particularly for Scooter.

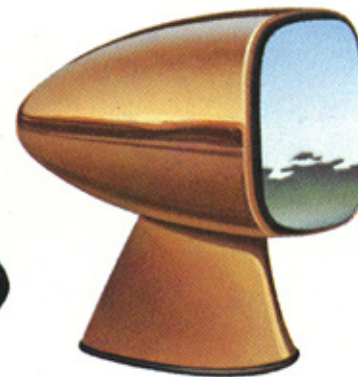


**1.6-LITRE 4-CYLINDER OHC ENGINE.** This new, single over-head-cam engine produces about 15 percent greater horsepower than the standard 1.4-litre engine for an SAE net horsepower rating of 60. Standard rear axle ratio is 4.11, with a 3.70 ratio available. The fully synchronized 4-Speed manual transmission is standard. Turbo Hydramatic is available.

**TURBO HYDRA-MATIC TRANSMISSION.** Shifts automatically through three speed ranges or may be shifted manually. Tunnel-mounted shift lever.



**SPORT STEERING WHEEL.** Vinyl-covered with cushioned center. Included with the available Rally equipment and available Custom Interior.



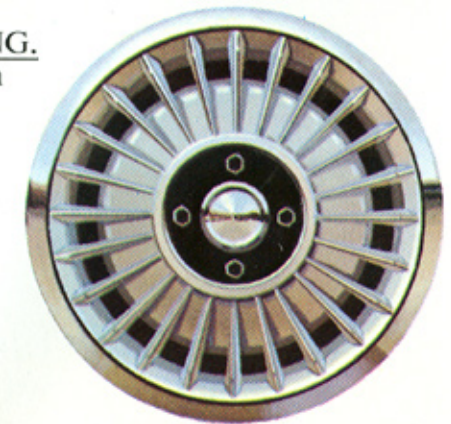
**TWIN SPORT MIRRORS.** Body-colored. Both can be adjusted from inside the car by remote control.

**AM/FM RADIO.** An AM radio and a rear seat speaker are also available. All factory installed radio equipment is Delco-designed for Chevette.



**SPORT WHEEL COVERS.** Finned design adds special style to Chevette. Included with available Rally equipment.

**FOUR-SEASON AIR CONDITIONING.** Provides year-round comfort along with defrosting and defogging.





DELCO FREEDOM HEAVY-DUTY BATTERY. Never needs refilling.

ROOFTOP LUGGAGE RACK. Adds an extra touch of style and permits the carrying of additional luggage and larger items.

ELECTRO-CLEAR REAR WINDOW DEFOGGER. Electrically clears the large rear window of mist and steam.

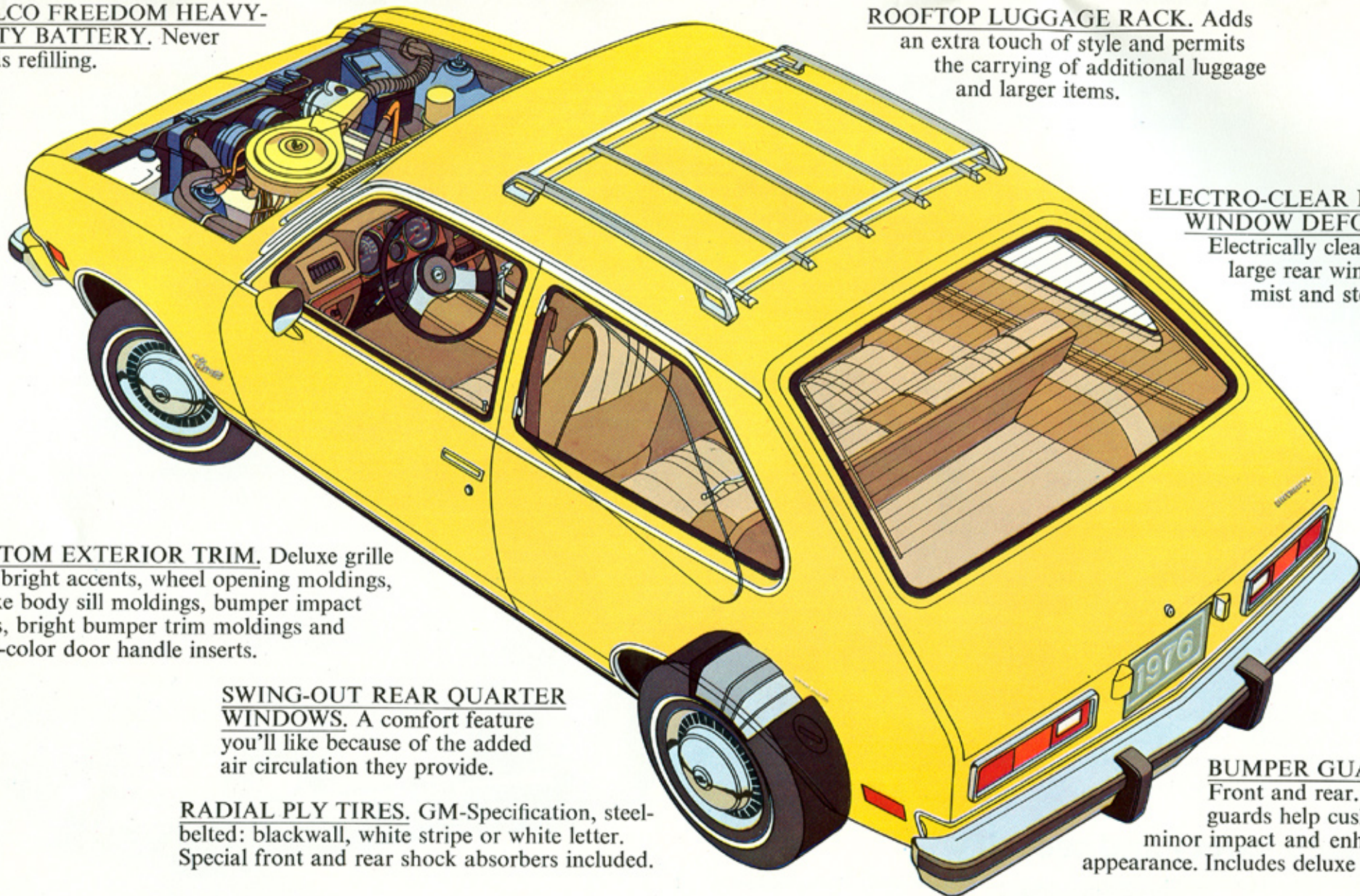
CUSTOM EXTERIOR TRIM. Deluxe grille with bright accents, wheel opening moldings, deluxe body sill moldings, bumper impact strips, bright bumper trim moldings and body-color door handle inserts.

SWING-OUT REAR QUARTER WINDOWS. A comfort feature you'll like because of the added air circulation they provide.

RADIAL PLY TIRES. GM-Specification, steel-belted: blackwall, white stripe or white letter. Special front and rear shock absorbers included.

BUMPER GUARDS. Front and rear. Resilient guards help cushion minor impact and enhance appearance. Includes deluxe bumpers.

DELUXE BUMPERS. Front and rear, with resilient impact strips. Included with available Custom Exterior trim.





# Why we built the Chevette.

Simply put, we built Chevette because we believe it is time for a new kind of car, this kind of car, from the American automotive industry.

Chevette is international in design and heritage, with engineering concepts proved around the world.

It exists, in a word, for *efficiency*: efficiency of size, space, service, operation, performance.

*It got 40 mpg highway, 28 mpg city, as rated by the U. S. Government in EPA tests with its standard power train. (Details on page 7.)*

Its wheelbase is about the same as VW Rabbit's.

It has more front seat leg room than a Toyota Corolla two-door sedan and more front seat head room than a Datsun B-210 two-door sedan.

Its turning circle is one of the shortest in the world.

It can carry cargo almost four feet wide.

It is well insulated against noise.

It is protected by 17 anti-corrosion methods.

It is basically a metric car. And, as you know, the metric system is on its way to becoming the standard of American measurement.

It comes with a clear, simple self-service booklet.



It's a two-door hatchback, with seating for four in the Chevette Coupe, as well as the Rally, Sport and Woody versions. A perky two-passenger version, the Scooter, is also available.

Chevette. More than just another new car for America, it's a new kind of American car.

Chevette Coupe. Shown here and on front cover, with available Custom Exterior, Custom Interior, sport mirrors, side window moldings, wheel trim rings, deluxe bumpers and bumper guards.



Copyright 1975, Chevrolet Motor Division, General Motors Corporation. Many Options and Custom Features are available for Chevette. Some are illustrated or described in this catalog.



# How we built the Chevette.

## Construction, corrosion protection, acoustical insulation, more.

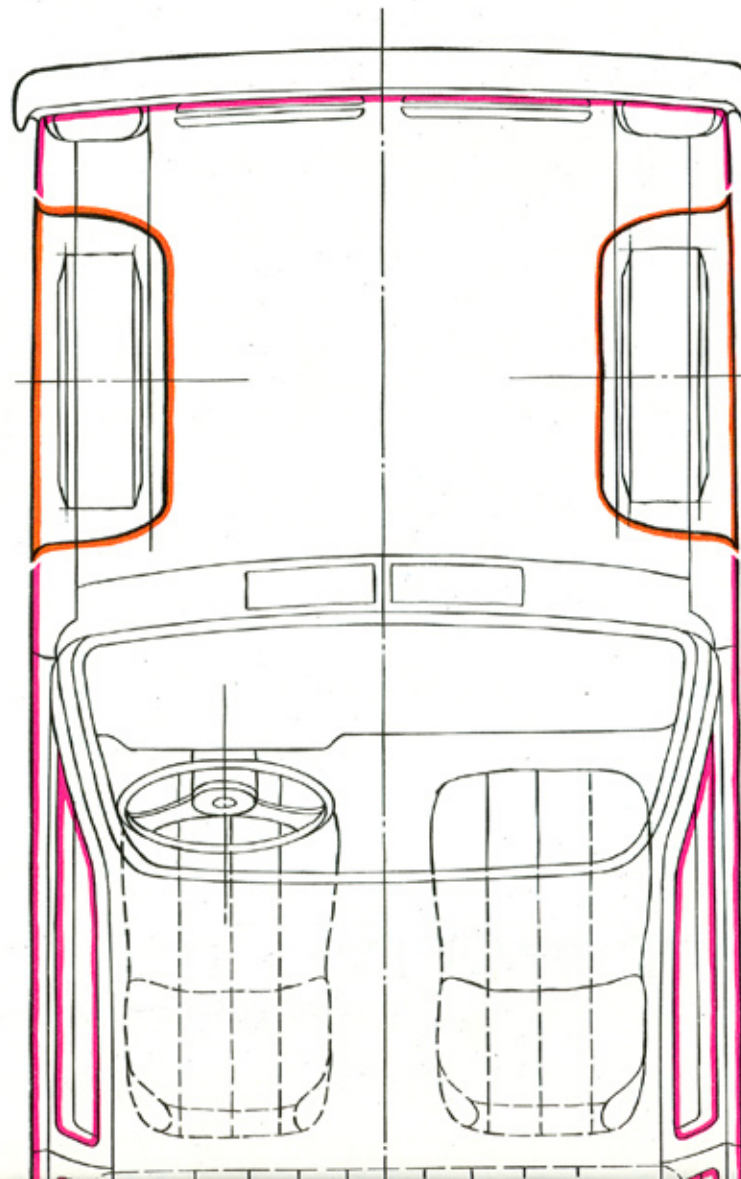
### INTERNATIONAL IN DESIGN.

The 1976 Chevette is Chevrolet's first metric car, the forerunner of America's cars of tomorrow. Most of its components conform to the international metric standard of measurement. Many of its design and engineering features have been proved in similarly built General Motors cars around the world. Even though it is international in design concepts, Chevrolet has tailored Chevette to America's driving needs, and it incorporates traditional built-in Chevrolet value.

### COMPREHENSIVE CORROSION

TREATMENTS. Chevette includes the kind of anti-corrosion treatment you'll appreciate with passing time and miles. And all the corrosion treatments described here are standard.

WAX BASE SPRAY. Rust and corrosion forming on the inner side of doors, rocker panels and rear quarter panels can often be a problem. Chevette utilizes a water-repellent wax coating to help protect the lower surfaces of these vital areas against rust.



FRONT INNER FENDER PLASTIC LINERS. Durable and corrosion resistant, they help protect the front outer fenders from nicks, dents and scratches caused by stones kicked up from underneath.

ZINC COATING. This has the dual advantage of combining a rust-resistant galvanized coating on the inner side with long-lasting paint adhesion on the outside. You'll find this quality metal used for Chevette's cowl side panels, hood, roof side rails and rear quarter panels.

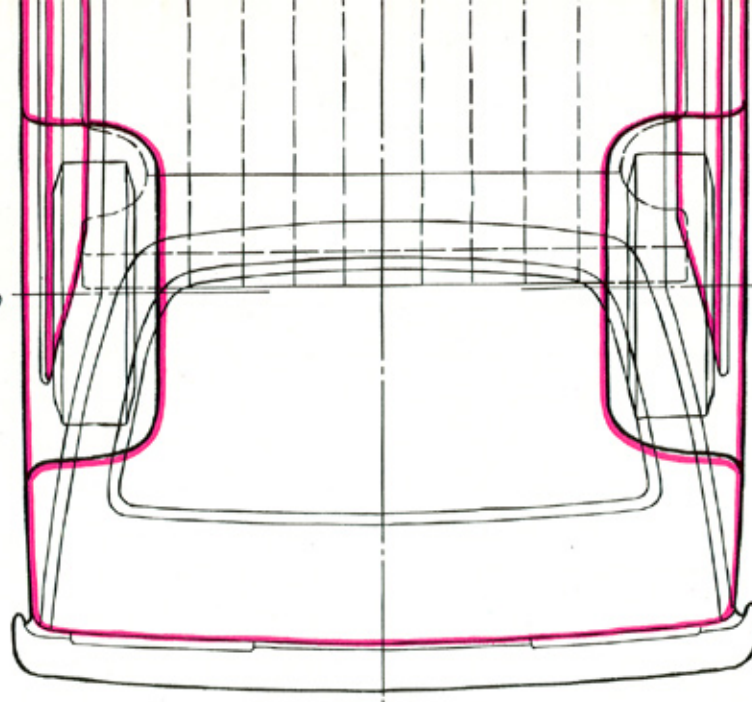
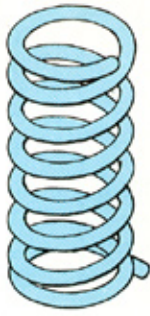
ZINC-RICH PRIMER. Before Chevette's Magic-Mirror acrylic lacquer finish is applied, selected areas of the quarter and rear end panels, underbody side rails, hatch and doors are sealed by a zinc-rich primer to help protect against moisture and rust.

GALVANIZED METAL. Chevette's front side rails, front valance and rocker panels are fabricated from galvanized metal for added protection against rust.

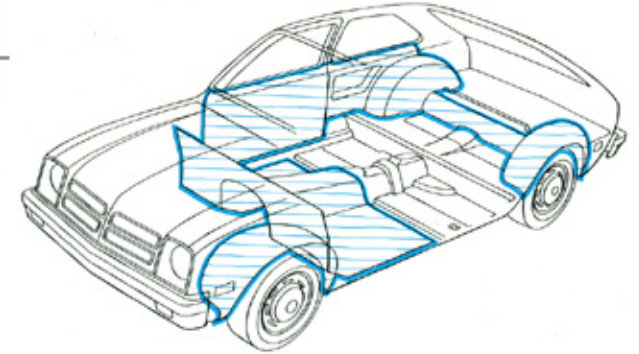
OIL BASE COATING. Each of Chevette's rear springs is firmly seated



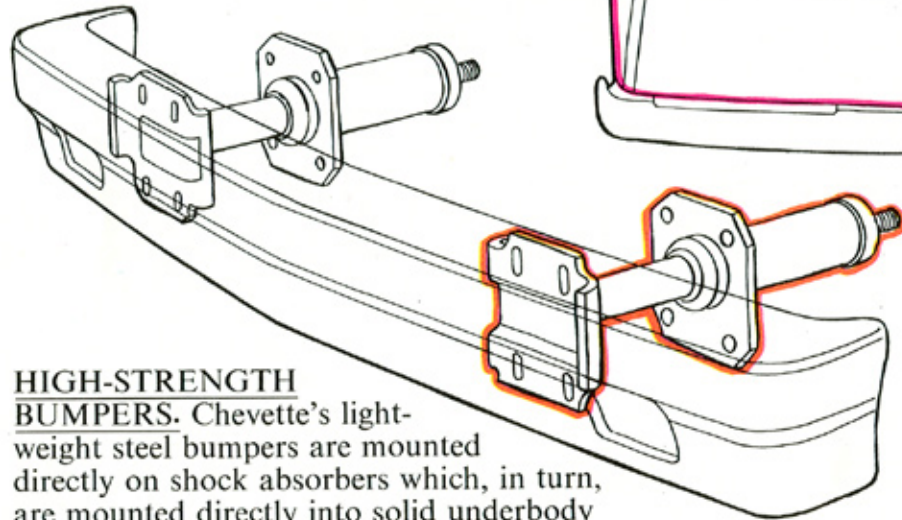
**EPOXY PAINT.** Even though corrosion-resistant epoxy paint is more expensive than ordinary paint, its ability to expand and contract without cracking makes it the right kind of protection for Chevette's front and rear coil springs.



in a housing that is protected by a corrosion-resistant oil base coating. It's little inner things like this that you like to find in an economy car.



**ACOUSTICAL INSULATION.** There are acoustic insulators on the lower dash, front floor, rear wheelhousings and rear quarter trim. Spray-on sound deadener is applied to front and rear wheelwells, door inner surfaces and other sensitive areas. And when the available Custom Interior is ordered, additional sound insulation is included.

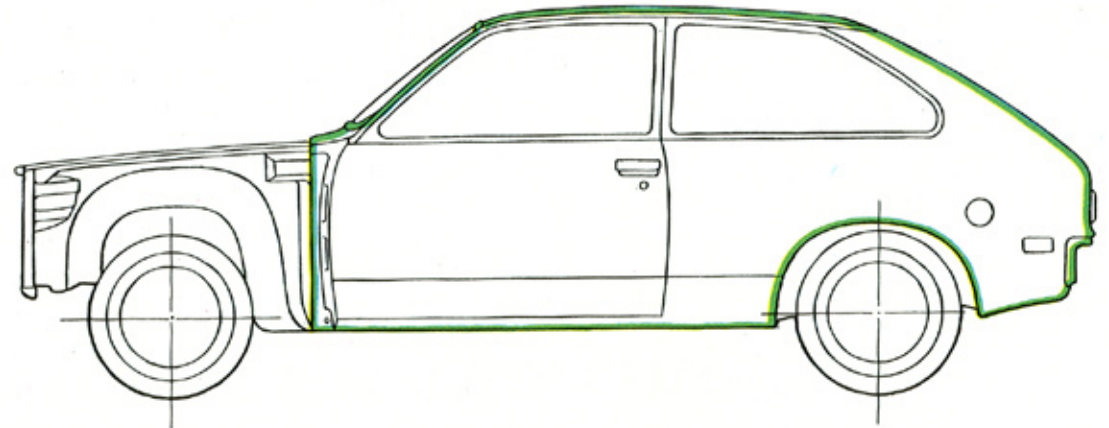


**HIGH-STRENGTH BUMPERS.** Chevette's light-weight steel bumpers are mounted directly on shock absorbers which, in turn, are mounted directly into solid underbody rails. This design helps cushion minor impacts.

deadener is applied to front and rear wheelwells, door inner surfaces and other sensitive areas. And when the available Custom Interior is ordered, additional sound insulation is included.

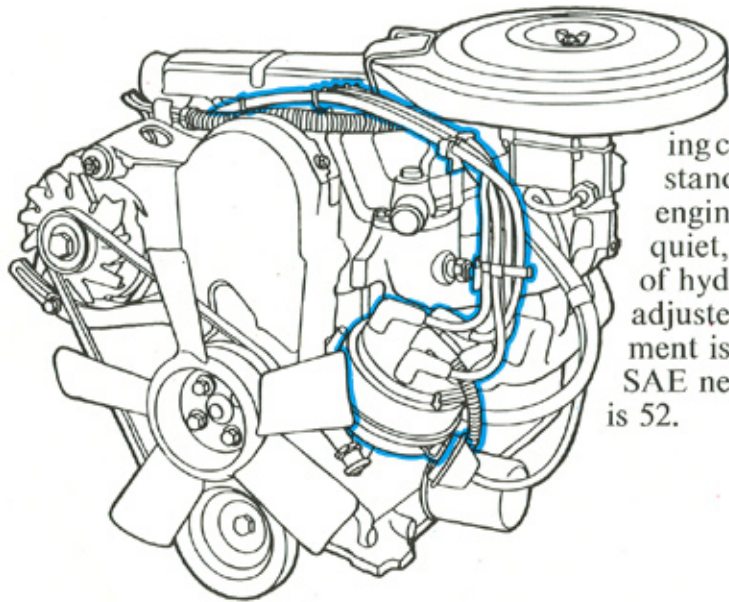
**STRONG, UNITIZED BODY.** We also combined the hood and grille into a single unit to make the engine compartment items more accessible for service. Bolt-on front fenders can be removed if needed, for repair or replacement.

**MORE CHEVETTE VALUE FEATURES.** Aerodynamically designed front spoiler • Flush-style exterior door handles.





# Engine, transmission, suspension, more.

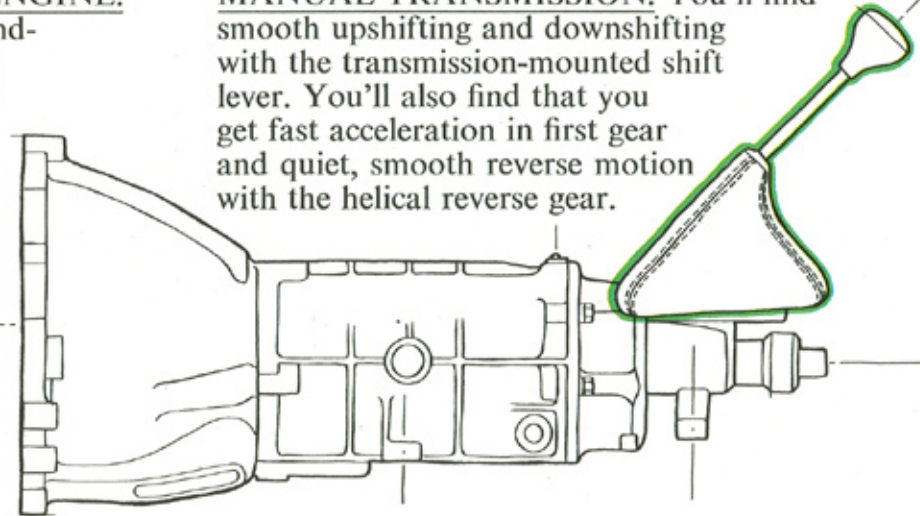


## 1.4-LITRE 4-CYLINDER OVERHEAD-CAM ENGINE.

Economy is an outstanding characteristic of Chevette's standard 1.4-litre single OHC engine. It's smooth and quiet, too, partly because of hydraulic valve lash adjusters. Engine displacement is 85 cubic inches. SAE net horsepower rating is 52.

## FULLY SYNCHRONIZED 4-SPEED MANUAL TRANSMISSION.

You'll find smooth upshifting and downshifting with the transmission-mounted shift lever. You'll also find that you get fast acceleration in first gear and quiet, smooth reverse motion with the helical reverse gear.



## HIGH ENERGY IGNITION.

Standard on every Chevette, the High Energy Ignition delivers up to 85 percent hotter spark to the plugs than with conventional systems, for responsive ignition performance.

## CATALYTIC CONVERTER.

Takes over most of the emissions control so engines can be tuned for smooth, responsive, efficient performance.

## POWER TEAMS

Engine	Carburetor Barrels	Net HP Rating	Engine Usage	Transmissions
1.4 Litre OHC, 4-cylinder	1	52	Std.	Std: 4-Speed manual Avail: Turbo Hydra-matic*
1.6 Litre OHC, 4-cylinder	1	60	Avail.*	Std: 4-Speed manual Avail: Turbo Hydra-matic

\*Not available on Scooter.

## LONG SERVICE INTERVALS

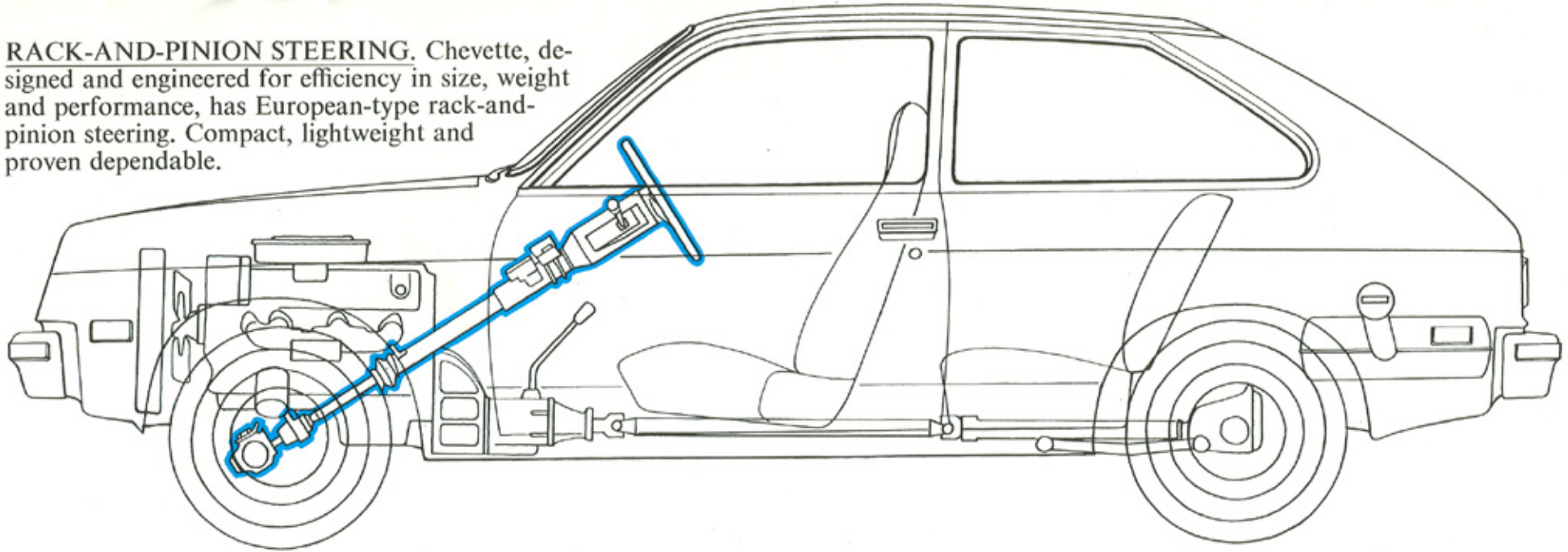
Air Cleaner	Up to 50,000 miles	Spark Plugs	Up to 22,500 miles
Engine Oil	6 months or 7,500 miles	Chassis Lube	6 months or 7,500 miles
Oil Filter	First 7,500 miles; every 15,000 miles thereafter	Transmission Fluid	60,000 miles

## LONG SERVICE INTERVALS.

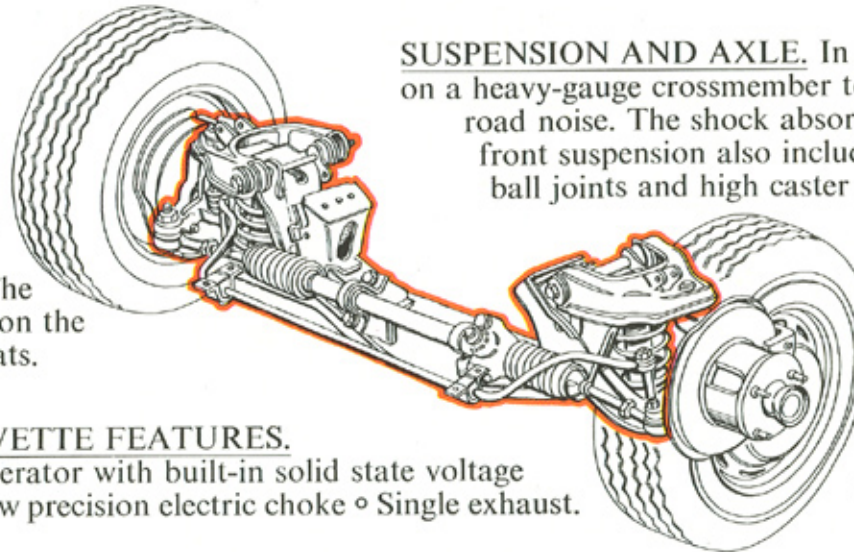
They help save you money as you operate a '76 Chevette.



**RACK-AND-PINION STEERING.** Chevette, designed and engineered for efficiency in size, weight and performance, has European-type rack-and-pinion steering. Compact, lightweight and proven dependable.



**FRONT DISC/REAR DRUM BRAKES.** Among Chevette's value features are its hefty front disc brakes. They're fade resistant, smooth operating and resist the effects of water. They also have built-in audible wear sensors to alert you when the linings need replacement. Coupled with the front discs are rear drum brakes and dual master cylinder. The parking brake handle is conveniently located on the driveshaft tunnel between the front bucket seats.



**SUSPENSION AND AXLE.** In front, the suspension is mounted on a heavy-gauge crossmember to help isolate road shock and road noise. The shock absorbers are outboard mounted. The front suspension also includes a stabilizer bar, low-friction ball joints and high caster suspension geometry. Variable

rate coil springs are standard in the rear, as is the new torque tube rear axle. The torque tube likewise helps isolate road shock and road noise; also helps permit a low height of the driveshaft tunnel to provide added rear-seat head room and a full-width rear seat.

**MORE CHEVETTE FEATURES.**

Delcotron generator with built-in solid state voltage regulator ◦ New precision electric choke ◦ Single exhaust.

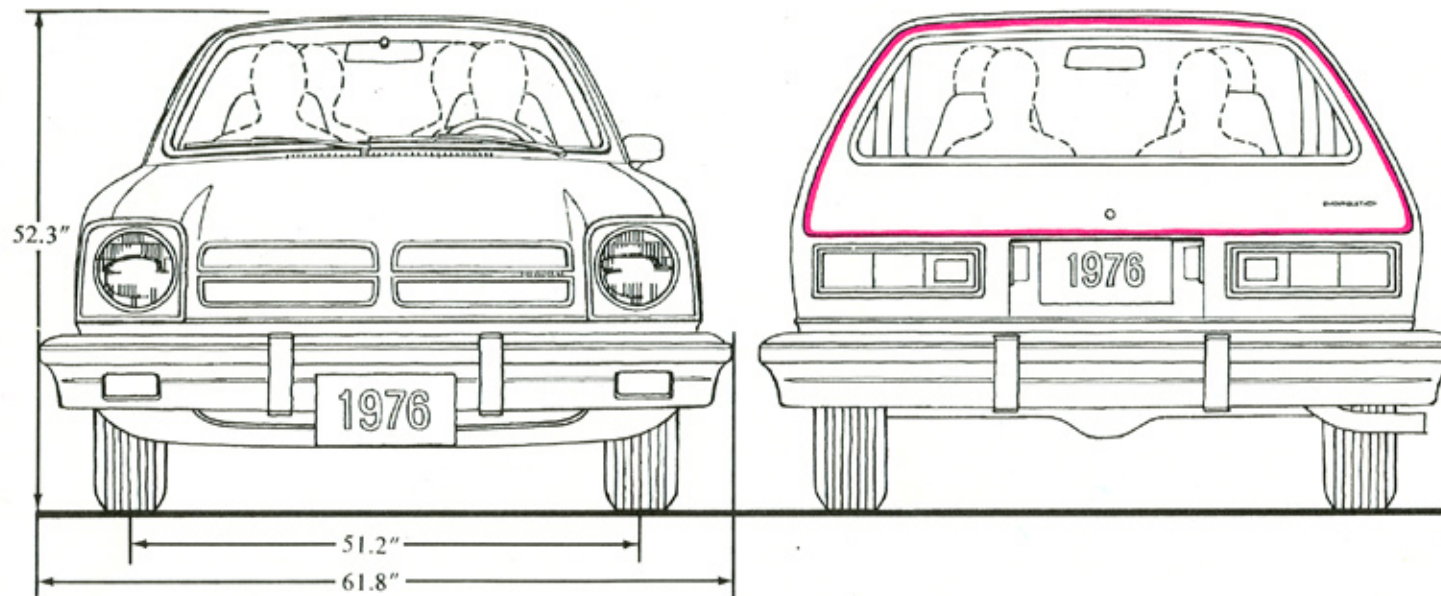
MILES PER GALLON	
EPA Mileage Rating	
MPG – Highway	40
MPG – City	28
Engine	1.4 Litre
Transmission	4-Speed

*Remember: These mileage figures are estimates. The actual mileage you get with Chevette will vary depending on the type of driving you do, your driving habits, your car's condition, and available equipment.*

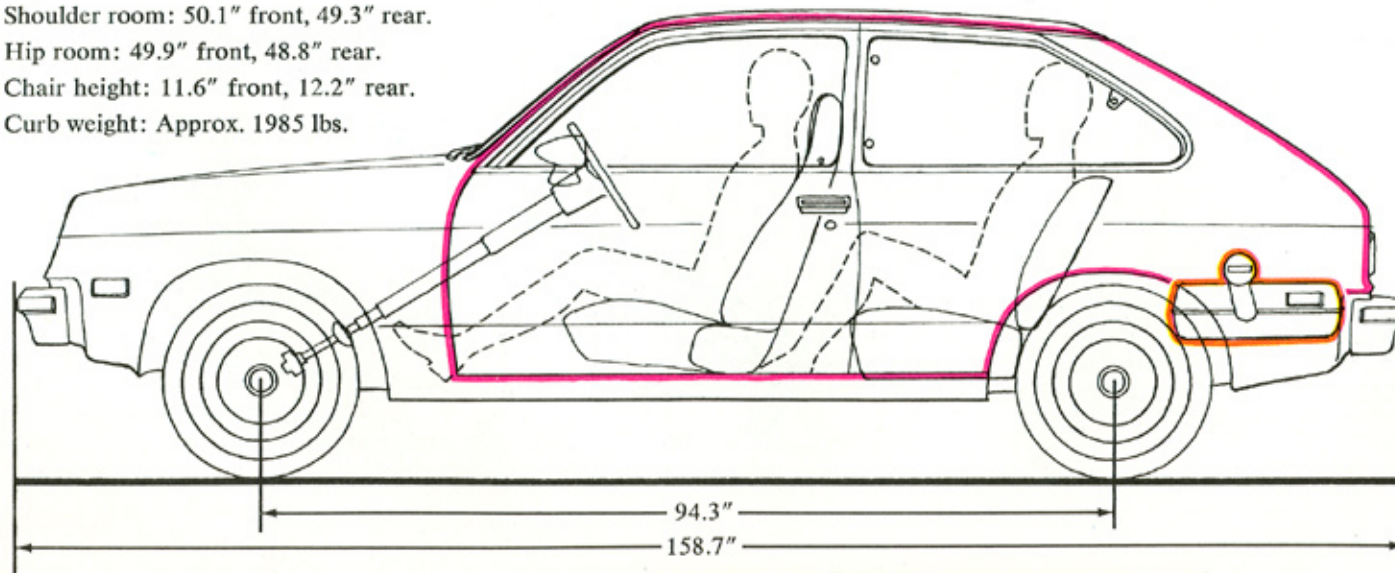
See your Chevrolet dealer for EPA mileage figures on other Chevette engine/transmission combinations. In California, see your Chevrolet dealer for EPA mileage figures and engine/transmission combinations available on California emission-equipped cars.



## Service, size, capacities, more.



Head room: 38.1" front, 37.3" rear.  
 Leg room: 41.5" front, 28.7" rear.  
 Shoulder room: 50.1" front, 49.3" rear.  
 Hip room: 49.9" front, 48.8" rear.  
 Chair height: 11.6" front, 12.2" rear.  
 Curb weight: Approx. 1985 lbs.

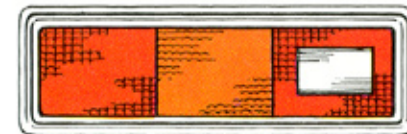


### FULL-WIDTH HATCH.

Loading a Chevette through the rear hatch is easy because of its 48-inch maximum width and 28.5-inch height with the hatch open. Pneumatic hatch supports are standard.

### TRI-COLOR TAILLIGHTS.

Here's another of the international features standard on Chevette: red, amber and white taillights which quickly signal to the driver behind what your driving intentions are. The red taillights glow when your headlights or parking lights are on. Apply your brakes and



the red taillights show a brighter glow. The bright amber taillights will flash with your turn signals or hazard warning flasher. Put your Chevette in reverse gear and the backup lights light up.

### 13-GALLON GAS TANK.

Combine Chevette's fuel efficiency with this size gas tank and you can drive hundreds of miles between fill-ups.



### SO MUCH ROOM IN SO LITTLE SPACE.

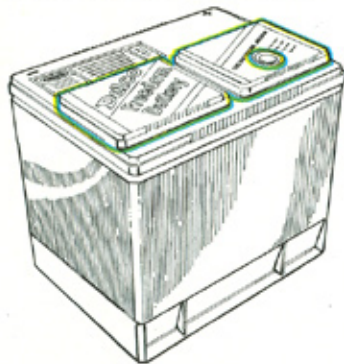
Every inch of the Chevette is designed for efficiency. Its exterior is trim and compact, with needless overhang and bulk eliminated. There's interior comfort for four passengers in the Chevette Coupe, as well as the Rally, Sport and Woody versions. And with Chevette's special front bucket seats, you sit chair-high for added comfort and easy over-the-hood viewing. Fold the rear seat down and you get wagon-like stowage for over 26 cu. ft. of cargo.

### COMPACT TURNING

CIRCLE. Chevette gives you one of the shortest turning circles of any four-passenger car you can buy, only 30.2 feet. Here's a convenience you'll appreciate every time you park, back or make a limited-space turnaround.

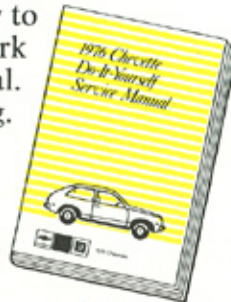
### FREEDOM BATTERY.

The new Delco Freedom battery never needs refilling. It has a sealed top, no filler caps, and side terminals which resist corrosion buildup.



### DO-IT-YOURSELF SERVICE.

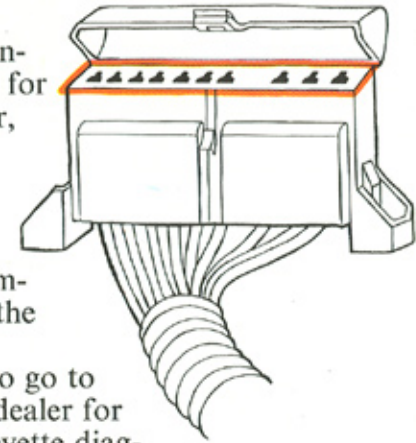
When you buy a 1976 Chevette you also receive a miniature service manual with instructions on how to perform minor service work yourself. Very practical. Can be very cost saving.



BUILT-IN DIAGNOSTIC CONNECTOR. Do-it-yourselfers can diagnose the following functions of Chevette's electrical system: High Energy Ignition primary circuit, and the complete cranking system including the ignition switch operation and neutral start switch.

The available Four-Season air conditioning also has its own diagnostic connector for checking voltage at the blower motor, low blower contacts at relay, high blower relay coil, the resistor, the air conditioning system voltage, the control to the compressor circuit and the compressor.

If you prefer to go to your Chevrolet dealer for service, the Chevette diagnostic connectors can help the mechanic diagnose functions accurately and quickly.



### FINGERTIP "SMART SWITCH."

Chevette's new Smart Switch, located within fingertip reach on the steering column, lets you activate the turn signals, headlight dimmer, windshield wipers and washers, lane-changing and "flash-to-pass" signals.



### THESE FEATURES ARE STANDARD, TOO.

- Bias ply blackwall tires on 13" x 5" disc wheels
- o Courtesy light in windshield header
- o Easily accessible instrument panel for serviceability
- o Spare tire beneath removable cargo floor.



# More that you can add to Chevette.

Many other available options for Chevette are described on pages 14 and 15. Check your Chevrolet dealer for availability, particularly on Scooter.

## For comfort and convenience.

- Electric clock.
- Soft-Ray tinted glass. Windshield and all windows. Helps reduce glare and inside temperature. Especially desirable with air conditioning.
- Auxiliary lighting consists of courtesy, cargo area, glove compartment and underhood lights, as well as right-door light switch.
- Console with tray. Included with available Rally equipment.
- Glove compartment lock. Included with available Custom Interior.
- Cigarette lighter. Included with available Custom Interior.
- Remote-control sport mirror for left door. Matches body color.
- Day-night inside rearview mirror. Included with Woody package and with Custom Interior.

## For appearance.

- Deluxe seat and shoulder belts. Color-keyed to interior trim.
- Carpeting for cargo area and back of rear seat. Included with available Custom Interior trim.
- Floor mats. Color-keyed to interior trim.
- Body side molding, with black vinyl insert. Not available with Woody package.
- Side window moldings. Included with available Woody package.
- Door edge guards.
- Vinyl roof cover.
- Wheel trim rings. Included with available Woody package. Not available with Rally equipment.
- Sport wheel covers. Included with available Rally equipment.

## Mechanical items.

- Special instrumentation. Includes tachometer and temperature gauge. Included with available Rally equipment.
- Highway axle ratio (3.70). Available only with the available 1.6-litre engine. Not available with air conditioning, or in California.
- High-Altitude axle ratio (4.11). Available with 1.4-litre engine

- and 4-Speed transmission only. Not available with air conditioning; standard in California.
- Suspension equipment. With rear stabilizer. Included with available Rally equipment.
- Sport shifter with console. Available with 4-Speed transmission only. Included with available Rally equipment.
- Bias-ply white stripe tires.



## For your safety and security

### OCCUPANT PROTECTION FEATURES

- Seat belts with pushbutton buckles for all passenger positions
- Two front combination seat and inertia reel shoulder belts for driver and right front passenger (with reminder light and buzzer)
- Energy-absorbing steering column
- Passenger-guard door locks
- Safety door latches and hinges
- Folding seat back latches
- Energy-absorbing padded instrument panel and front seat back tops
- Contoured windshield header
- Thick-laminate windshield
- Safety armrests
- Safety steering wheel

- Smooth-contoured door and window regulator handles
- Soft, low-profile window control knobs, coat hooks, dome light
- Automatic locking front and rear outboard seat belt retractors
- Pressure lock radiator cap
- High-strength front seat anchorages and construction
- High-strength rear seat retention
- Stamped steel door hinges

### ACCIDENT PREVENTION FEATURES

- Side marker lights and reflectors
- Parking lights that illuminate with headlights

- Four-way hazard warning flasher
- Back-up lights
- Lane-change feature in direction signal control
- Windshield defroster, washer and dual-speed wiper
- Wide-view inside mirror (vinyl-edged, shatter-resistant glass and deflecting support)
- Outside rearview mirror
- Dual master cylinder brake system with warning light
- Starter safety switch
- Low-glare instrument panel top, inside windshield moldings, wiper arms and blades, and steering wheel metallic surfaces
- Safety wheel rims
- Uniform shift quadrant

- No winged wheel nuts, covers or caps
- Front disc brakes with audible wear indicators
- Self-adjusting brakes
- Illumination of heater and defroster controls
- Pressure-relief gas cap

### ANTI-THEFT FEATURES

- Anti-theft ignition key reminder buzzer
- Anti-theft steering column lock
- Anti-theft key system (one key for ignition only, other key for doors and hatch)
- Visible vehicle identification
- Tamper-resistant odometer with telltale feature.



All illustrations and specifications in this literature are based on the latest product information available at the time of publication approval. The right is reserved to make changes at any time without notice in prices, colors, materials, equipment, specifications and models, and to discontinue models. Chevrolet Motor Division, General Motors Corporation, Detroit, Michigan 48202.

LITHO IN U.S.A. October, 1975

3319 Rev.

