



2015 OUTLANDER



At Mitsubishi, we believe not all drivers are created equal. So we build our vehicles for a different breed of driver, the fearless ones who take pride in what they drive, and refuse to drive more of the same. It's obvious to us that people who truly want distinctive styling and the latest technology see past the procession of bland imitations. We believe that every vehicle we make should stand for something. Something more than expected. And that's why we don't build Mitsubishi cars for stereotypes. We build them for you.

MITSUBISHICARS.COM 1.888.MITSU2015 NATLBRO-15-004





BEING DIFFERENT ISN'T EASY.

There is no one to follow. No crowd to hide behind. No map to guide the way. But the only way to discover something better is to break from the pack and go your own way. Of course, being brave doesn't mean you can't play it safe. The Mitsubishi Outlander was designed to be one of the safest CUVs on the road today. We're not just talking top marks in crash tests. We're talking available safety features like Forward Collision Mitigation that help prevent certain accidents altogether. Yes, being different might not be easy, but when your car is equipped to keep a watchful eye on the road ahead, it can be one of the safest decisions you've ever made.

[FIND YOUR OWN LANE.](#) MITSUBISHICARS.COM



DESIGN P.02



ECOLOGY P.06



SAFETY P.10



ACCOMMODATION P.14



HERITAGE P.20



SPECIFICATIONS P.24

 DESIGN

WHEN PASSION MEETS PRECISION

The 2015 Mitsubishi Outlander is just the latest example of our progressive approach to design and engineering. Nearly everywhere you look, both inside and out, you'll find stylistic refinements. Yet, these many visual details are far more than just aesthetic. In every instance, the appealing form follows an efficient function. The 18-inch two-toned wheels, for example. While undeniably handsome, they're also made from a lightweight alloy to enhance performance.





RIDE REFINEMENTS

Along with the aesthetic enhancements, our engineers further improved Outlander's overall ride quality. To reduce road noise and vibration, we augmented insulation and increased overall body rigidity. Outlander's Continuously Variable Transmission (CVT) was calibrated for optimum efficiency and performance. Even the suspension was sport-tuned for crisp agility in the corners.

FINDING BEAUTY WITHIN

Outlander's spacious cabin is a study in order and simplicity. From the sweeping dashboard to the scalloped door panels, the driver-centric cockpit conveys a sense of ergonomic attention. Even the FAST-Key system's push-button ignition was designed for simplicity, both in appearance and in operation. Let the drive begin.

ATTENTION, MEET DETAIL

From the striking upper front grille to the lower bumper and wheel arch garnishes, Outlander presents a wealth of tasteful highlights. Equally eye-catching are the available sharp LED taillights and sporty fog lamp bezels. Outlander's even available in a sporty new color: Rally Red Metallic.



 **ECOLOGY**

OUR ENGINEERS WENT THE EXTRA MILE

Fact: The 2015 Outlander is the most fuel-efficient standard 7-passenger CUV in its class¹. How did we do it? We started by engineering a lightweight body, making Outlander 220 pounds lighter than the previous generation. Next, we streamlined the body with a new aerodynamic front fascia, creating 7% less wind resistance. Its sleeker exterior helps improve fuel economy and also reduces CO₂ emissions.





2.4-LITER MIVEC ENGINE

Outlander's 2.4-liter, 166-hp aluminum-block 4-cylinder engine features a continuously variable valve lift system. This efficient engine employs a single mechanism to vary the valve lift and timing for optimum engine "breathing." The MIVEC engine is coupled to a Continuously Variable Transmission (CVT) that, paired with the Acceleration Control feature, offers a smooth "shift" feel, responsive acceleration and excellent fuel economy.

3.0-LITER V-6 ENGINE

The sporty Outlander GT boasts a 24-valve, 3.0-liter V-6 MIVEC engine that produces a full 224 horsepower at 6250 rpm and 215 lb.-ft. of torque at 3750 rpm. This powerful engine utilizes low viscosity engine oil and iridium spark plugs to help maximize fuel efficiency. Plus, a refined 6-speed automatic transmission helps deliver improved torque and fuel efficiency.

ECO DRIVE SUPPORT SYSTEM

When the ECO mode is engaged, the system helps you drive in a more environmentally friendly fashion by slightly reducing engine power on initial acceleration, and the airflow volume of the air conditioner. Plus, on vehicles equipped with Super All-Wheel Control (S-AWC), the ECO mode allows Outlander to function as a 2WD vehicle until sensors determine that 4WD is necessary. The result is not only better fuel economy, but also lower CO₂ emissions.





SAFETY

JOB ONE: THE SAFETY OF SEVEN

The 7-passenger Outlander is equipped with advanced active and passive safety technology. In fact, Outlander has been selected as an Insurance Institute for Highway Safety (IIHS) Top Safety Pick+* in 2014. Along with seven standard airbags, its many features include Active Stability Control (ASC) with Traction Control Logic (TCL), enhanced pedestrian protection with specially designed hood and front fenders, a Tire Pressure Monitoring System (TPMS), and Mitsubishi's RISE (Reinforced Impact Safety Evolution). We believe you can't be over-prepared for the unexpected.

2014 IIHS TOP SAFETY PICK+



REINFORCED IMPACT SAFETY EVOLUTION

RISE engineering helps provide occupant protection in the event of a collision. RISE combines energy-absorbing front and rear structures with a rigid occupant cell. Along with reinforcing bars in the doors and energy-absorbing materials in the side pillars, the 2015 Outlander's RISE body features high-tensile strength steel that reduces weight while maintaining safety during high collision.

SEVEN STANDARD AIRBAGS

Outlander's standard Supplemental Restraint System (SRS) features seven airbags, including dual-stage front airbags with a driver's seat position sensor, driver and passenger seat-mounted side airbags, side curtain airbags, and a driver's knee airbag².

SUPER-WIDE RANGE HID HEADLIGHTS

Using xenon gas, the available Super-wide Range High Intensity Discharge Headlights (S-HID) project a beam brighter than normal lights. What's more, the light they emit more closely mimics that of the sun, making for better definition and less eye fatigue.



ADAPTIVE CRUISE CONTROL

The available Adaptive Cruise Control³ (ACC) works like regular cruise control — only better. It uses a 77-GHz radar unit to detect a car ahead and maintain a preset distance between you and that car. If the car ahead is going slower than your set speed, the system will slow your car to the same speed, maintaining a driver-selectable following distance. If the car ahead speeds up, your Outlander will match its speed (up to your set speed). If the car moves out of your lane or accelerates beyond your set speed, Outlander will resume your set speed.

LANE DEPARTURE WARNING

Most traffic accidents are due to driver error or simple inattention. Outlander's available Lane Departure Warning⁴ (LDW) system can help you reduce the potential dangers associated with drifting out of your lane. A camera mounted on the inside front windshield monitors the lane position in front of the vehicle. If the vehicle is about to depart from its established lane, the system cautions the driver through a display and audible warning.

FORWARD COLLISION MITIGATION

The radar unit employed by the Adaptive Cruise Control is also used to help you reduce the severity of a frontal collision. If the available Forward Collision Mitigation⁵ (FCM) system determines that a frontal collision is imminent, it warns the driver with audible and visual signals, and automatically applies emergency braking to reduce the severity of a collision.

REARVIEW CAMERA

With visibility compromised, backing up a vehicle is always a safety concern. Outlander's available rearview camera provides a measure of assurance by displaying an image of what is directly behind the vehicle on the screen.

ACCOMMODATION

IT'S ALL ABOUT YOU

Comfort is as individual as each passenger. Outlander's sense of luxury begins the moment you arrive at the vehicle, with an available FAST-Key passive entry system. Inside, the available Dual-zone Automatic Climate Control lets occupants customize their climate. Standard features include our FUSE Hands-Free Link System with USB Port, which makes staying connected easy. And the fold-flat versatility of the second- and third-row seats, also standard, helps you take full advantage of Outlander's ample capacity.





FOLD-FLAT VERSATILITY

The standard third-row seats are split 50/50 and can be easily stowed with the pull of a single fold-and-store strap or quickly returned to their upright position by simply raising the seatback. Additionally, the 60/40 split and fold second-row seat gives you numerous passenger and payload configurations to choose from.

FAST-KEY PASSIVE ENTRY SYSTEM

Outlander's FAST-Key (Free-hand Advanced Security Transmitter) makes vehicle entry easy. Unlock the doors by simply pressing the button on either front door or the trunk lever. Starting the engine is also push-button easy with the keys tucked safely away in a pocket or purse.

TILT AND TELESCOPING STEERING WHEEL

Those who share their Outlander with other drivers will appreciate the tilt and telescoping steering wheel. It makes finding that perfect driving position a quick and easy operation.

POWER LIFTGATE

Adding to Outlander's accommodating nature is an available automatic power liftgate. Conveniently open or close the rear gate with the key fob, with buttons on the gate itself, or with buttons on the dashboard.

ROCKFORD FOSGATE® PREMIUM AUDIO SYSTEM

Outlander's available Rockford Fosgate® 710-watt audio system powers 8 premium speakers and a 10-inch dual-voice coil subwoofer⁶. The system incorporates an advanced Digital Signal Processor (DSP) and offers the listener PUNCH® control over the subwoofer, sound field control over the image and staging of the system, and the latest DTS Neural Surround® technology. The system is also equipped with state-of-the-art technologies, such as Dolby® Volume, PremiDIA HD® surround and PremiDIA-Wide® for dynamic audio performance.

FUSE HANDS-FREE LINK SYSTEM® WITH USB PORT

Standard on Outlander, FUSE allows you full use of your Bluetooth®-enabled phone and lets you play music from your iPod or other MP3 player and USB devices, hands free^{7,8}.

Along with buttons on the steering wheel, FUSE also utilizes advanced speech recognition technology, so you can operate selected features with voice commands. FUSE recognizes up to seven different mobile phones, syncing up with contact lists from each phone that's been paired with the system and keeping the lists private to each user.



DUAL-ZONE AUTOMATIC CLIMATE CONTROL

This available feature gives front-seat occupants customized comfort. The front vents are divided into separate systems with separate temperature controls, so the driver and front passenger can each control the environment on their side of the vehicle.

MITSUBISHI MULTI-COMMUNICATION SYSTEM

Boasting a 7-inch high-definition touch-panel display, the available Mitsubishi Multi-Communication System (MMCS) offers a host of advanced features. The system includes next-generation navigation with 3-D mapping, expanded Point of Interest (POI) information and road speed limit display, ECO routing and subscription-free Real-time Traffic, with Diamond Lane Guidance and Mapcare™ that includes two annual map updates.



TOUCH PANEL DISPLAY AUDIO SYSTEM

Equipped with an available 6.1-inch touch screen, this sleek system sports a high-gloss black finish and uses app-like icons for easy navigation. Features include HD Radio®, rearview camera and, when you opt for the Premium Package, SiriusXM® Satellite Radio⁹. When equipped with FUSE Hands-free Link System®, it also offers a phone dial screen and phone contact list importing.



HERITAGE

FOR THREE DECADES, WE'VE FOUND OUR OWN LANE

At Mitsubishi, we're proud to be a part of the automotive tradition in America. Since the day we sold our first U.S. vehicle back in 1981, we've been committed to building vehicles that offer a unique blend of spirited performance, head-turning style and genuine durability. Cars that are more than merely a means of transportation, but a moving expression of the driver within.



SUPER ALL-WHEEL CONTROL

With a long history of all-wheel drive systems, our road-handling credentials are legendary. In fact, Outlander's available Super All-Wheel Control (S-AWC) is the most advanced vehicle dynamics control system in the segment. S-AWC is an integration of several advanced technologies that together take full advantage of the engine's power. The Active Front Differential (AFD) distributes engine power between left and right on the front axle. Active Stability Control (ASC) helps keep the vehicle on its intended path when cornering, and the Anti-lock Braking System (ABS), along with Electronic Brakeforce Distribution (EBD), improves control and stability under hard braking. With the push of a button, the driver can select from four S-AWC modes to achieve maximum traction regardless of surface conditions. Those modes include Normal Mode, Snow Mode, Lock Mode and a new AWC ECO Mode.



NORMAL MODE

Normal Mode is employed to help maximize fuel efficiency and driving comfort on regular asphalt roads, wet or dry.

SNOW MODE

Snow Mode is engaged on ice and snow or whenever the road surface conditions are extremely slippery.

LOCK MODE

This mode locks in full 4-wheel drive capability to help maximize traction on unpredictable road surfaces.

AWC ECO MODE

This mode helps maximize fuel economy by making more efficient 2-wheel drive the priority, engaging the 4-wheel drive only if the wheels begin to slip.

WORLD-CLASS WARRANTIES

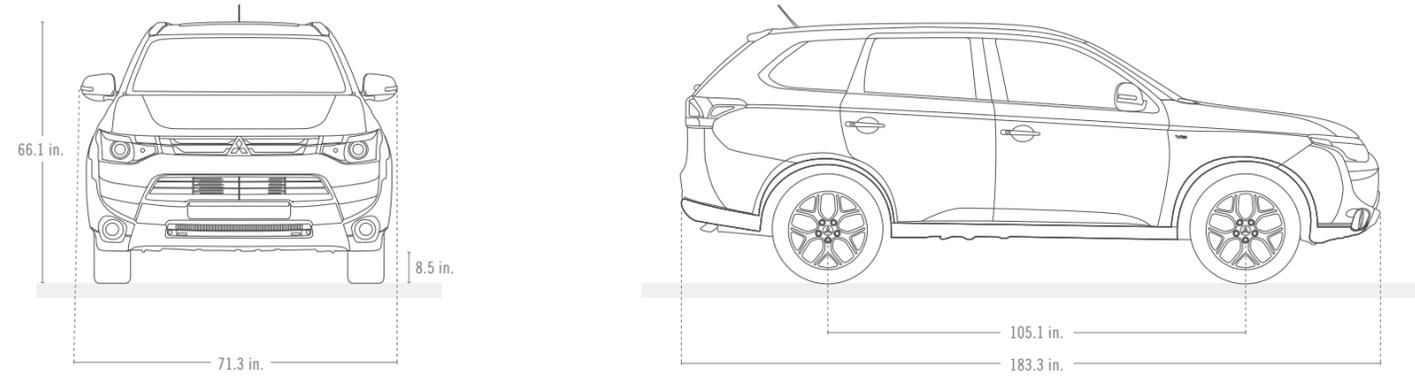
What we build, we stand behind. Period. Our vehicles are backed with a 10-year/100,000-mile Powertrain Limited Warranty, a 5-year/60,000-mile fully transferable New Vehicle Limited Warranty, a 7-year/100,000-mile Anti-Corrosion/Perforation Limited Warranty and 5-year/Unlimited Miles Roadside Assistance. They are some of the most comprehensive warranties in the industry. For, like our cars, we intend to serve you well for many years to come.

10-year
100,000-mile
POWERTRAIN LIMITED WARRANTY

SPECIFICATIONS

EXTERIOR

OUTLANDER



EXTERIOR DIMENSIONS	
Overall height	66.1 in.
Overall width	71.3 in.
Ground clearance	8.5 in.

EXTERIOR DIMENSIONS	
Overall length	183.3 in.
Wheelbase	105.1 in.
Wheel tread, front	60.6 in.
Wheel tread, rear	60.6 in.

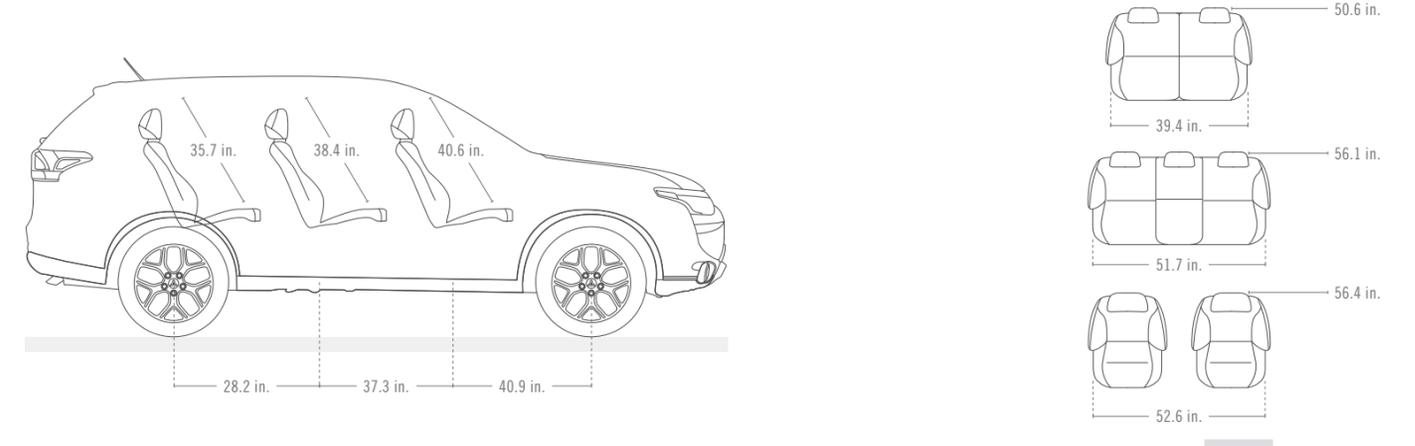
EXTERIOR COLORS	ES FWD	SE FWD	SE S-AWC	GT S-AWC
Diamond White 	● 1	● 1/2/3/4	● 1/2/3/4	● 1/2/3/4
Cool Silver 	● 1	● 1/2/3	● 1/2/3	● 1/2/3
Mercury Gray 	● 1	● 1/2/3	● 1/2/3	● 1/2/3
Rally Red 	● 1	● 1/2/3	● 1/2/3	● 1/2/3

EXTERIOR COLORS	ES FWD	SE FWD	SE S-AWC	GT S-AWC
Copper 	N/A	● 2/3	● 2/3	● 2/3
Cosmic Blue 	● 1	● 1/2/3/4	● 1/2/3/4	● 1/2/3/4
Labrador Black 	● 1	● 1/2/3/4	● 1/2/3/4	● 1/2/3/4

The numbers indicate interior colors / trims available with exterior vehicle color.

INTERIOR

OUTLANDER



INTERIOR DIMENSIONS	Head Room (with sunroof)	Shoulder Room	Leg Room	Hip Room
Front	40.6 in. (39.9 in.)	56.6 in.	40.9 in. (MAX)	52.6 in.
2nd row	38.4 in. (37.2 in.)	56.1 in.	37.3 in.	51.7 in.
3rd row	35.7 in. (35.7 in.)	51.4 in.	28.2 in.	39.4 in.

SAE VOLUME	
SAE passenger volume	128.2 cubic ft.
SAE cargo volume – behind front seats (est.)	63.3 cubic ft.
SAE cargo volume – behind 2nd row seats (est.)	34.2 cubic ft.
SAE cargo volume – behind 3rd row seats (est.)	10.3 cubic ft.

INTERIOR COLORS



ENGINE	ES FWD	SE FWD	SE S-AWC	GT S-AWC
Drivetrain	Front-Wheel Drive (FWD)	Front-Wheel Drive (FWD)	Super All-Wheel Control (S-AWC)	Super All-Wheel Control (S-AWC)
Type	2.4L MIVEC SOHC 16-valve Inline 4-cylinder	2.4L MIVEC SOHC 16-valve Inline 4-cylinder	2.4L MIVEC SOHC 16-valve Inline 4-cylinder	3.0L MIVEC SOHC 24-valve V6
Materials	Aluminum block/aluminum cylinder heads	Aluminum block/aluminum cylinder heads	Aluminum block/aluminum cylinder heads	Aluminum block/aluminum cylinder heads
Bore x stroke	88.0 mm x 97.0 mm	88.0 mm x 97.0 mm	88.0 mm x 97.0 mm	87.6 mm x 82.9 mm
Compression ratio	10.5	10.5	10.5	10.5
Displacement	2.4L/2,360 cc	2.4L/2,360 cc	2.4L/2,360 cc	3.0L/2,998 cc
Horsepower	166 @ 6,000 rpm	166 @ 6,000 rpm	166 @ 6,000 rpm	224 @ 6,250 rpm
Torque	162 lb-ft @ 4,200 rpm	162 lb-ft @ 4,200 rpm	162 lb-ft @ 4,200 rpm	215 lb-ft @ 3,750 rpm
Redline RPM	6,500	6,500	6,500	6,500
Emissions	Tier 2 bin 5 (50S)/LEVII-ULEV	Tier 2 bin 5 (50S)/LEVII-ULEV	Tier 2 bin 5 (50S)/LEVII-ULEV	Tier 2 bin 5 (50S)/LEVII-ULEV
Engine oil	0W-20	0W-20	0W-20	0W-20
Recommended fuel	Regular unleaded	Regular unleaded	Regular unleaded	Premium unleaded
TRANSMISSION / DRIVE SYSTEM	ES FWD	SE FWD	SE S-AWC	GT S-AWC
Continuously Variable Transmission (CVT)	STD	STD	STD	–
6-speed electronic automatic transmission (6AT)	–	–	–	STD
Active front differential transmission (S-AWC only)	–	–	STD	STD
Sportronic® steering wheel paddle shifters	–	–	–	STD
SUSPENSION	ES FWD	SE FWD	SE S-AWC	GT S-AWC
Front	MacPherson strut with stabilizer bar	MacPherson strut with stabilizer bar	MacPherson strut with stabilizer bar	MacPherson strut with stabilizer bar
Rear	Multi-link with stabilizer bar	Multi-link with stabilizer bar	Multi-link with stabilizer bar	Multi-link with stabilizer bar
STEERING	ES FWD	SE FWD	SE S-AWC	GT S-AWC
Type	Electric Power Steering	Electric Power Steering	Electric Power Steering	Electric Power Steering
Turns, lock to lock	3.3	3.3	3.3	3.3
Turning circle (curb to curb)	34.8 ft.	34.8 ft.	34.8 ft.	34.8 ft.
BRAKES/TIRES/WHEELS	ES FWD	SE FWD	SE S-AWC	GT S-AWC
Brakes - Front	Ventilated single piston disc, 11.6 in.	Ventilated single piston disc, 11.6 in.	Ventilated single piston disc, 11.6 in.	Ventilated single piston disc, 11.6 in.
Brakes - Rear	Solid single piston disc, 11.9 in.	Solid single piston disc, 11.9 in.	Solid single piston disc, 11.9 in.	Solid single piston disc, 11.9 in.
Brakes - ABS	4-wheel, 4-channel, 4-sensor with Electronic Brake-force Distribution (EBD) and Brake Assist	4-wheel, 4-channel, 4-sensor with Electronic Brake-force Distribution (EBD) and Brake Assist	4-wheel, 4-channel, 4-sensor with Electronic Brake-force Distribution (EBD) and Brake Assist	4-wheel, 4-channel, 4-sensor with Electronic Brake-force Distribution (EBD) and Brake Assist
Wheels	16 x 6 1/2 steel with cover	18 x 7.0 aluminum alloy	18 x 7.0 aluminum alloy	18 x 7.0 aluminum alloy
Tires	P215/70 R16	P225/55 R18	P225/55 R18	P225/55 R18
CAPACITIES	ES FWD	SE FWD	SE S-AWC	GT S-AWC
Passenger seating	7	7	7	7
Fuel	16.6 gallons	16.6 gallons	15.8 gallons	15.8 gallons
Oil	4.5 quarts	4.5 quarts	4.5 quarts	4.2 quarts
Tow capacity (MAX)	1,500 lbs.	1,500 lbs.	1,500 lbs.	3,500 lbs.
WEIGHTS	ES FWD	SE FWD	SE S-AWC	GT S-AWC
Curb weight	3,285 lbs.	3,307 lbs.	3,472 lbs.	3,571 lbs.
GVWR	4,795 lbs.	4,795 lbs.	4,795 lbs.	5,005 lbs.
Weight distribution	57/43 (%)	57/43 (%)	56/44 (%)	57/43 (%)
FUEL ECONOMY ¹⁰	ES FWD	SE FWD	SE S-AWC	GT S-AWC
City / Highway / Combined	25 / 31 / 27mpg	25 / 31 / 27 mpg	24 / 29 / 26 mpg	20 / 28 / 23 mpg

See www.fueleconomy.gov for EPA estimates. Your mileage will vary.

EXTERIOR FEATURES	ES FWD	SE FWD	SE S-AWC	GT S-AWC
Super-wide High Intensity Discharge (S-HID) headlights	–	–	–	STD
Auto-off halogen headlights	STD	STD	STD	–
Auto-on/off headlights	–	OPT	OPT	STD
Fog lights with chrome accents	–	STD	STD	STD
Side-view mirror-mounted LED turn indicators	–	STD	STD	STD
LED rear combination taillights	–	–	–	STD
Color-keyed front and rear bumper with silver accent	STD	STD	STD	STD
Color-keyed side-view mirrors with turn indicators	–	STD	STD	STD
Roof carrier plug-in accommodation	STD	STD	STD	STD
Chrome beltline molding	–	–	–	STD
Front grille with chrome accents	STD	STD	STD	STD
V6 badge/GT badge	–	–	–	STD
S-AWC decal	–	–	STD	STD
Power glass sunroof	–	OPT	OPT	OPT
Heated side-view mirrors	STD	STD	STD	STD
Front windshield speed-sensitive variable intermittent wipers	STD	STD	STD	STD
Rear window intermittent wiper/ washer with defroster and timer	STD	STD	STD	STD
Rain-sensing windshield wipers	–	OPT	OPT	STD
Rear privacy glass	STD	STD	STD	STD
Wheel arch moldings	STD	STD	STD	STD
18 in. alloy wheels	–	STD	STD	–
18 in. dual tone alloy wheels	–	–	–	STD
16 in. steel wheels with full wheel covers	STD	–	–	–

INTERIOR FEATURES	ES FWD	SE FWD	SE S-AWC	GT S-AWC
High-contrast meter gauge cluster	–	STD	STD	STD
Instrument panel illuminated Hazard and ECO switches	STD	STD	STD	STD
Dual-visor vanity mirrors with illumination	STD	STD	STD	STD
Front map, center dome, and rear cargo lights	STD	STD	STD	STD
7-passenger seating	STD	STD	STD	STD
Deluxe fabric seating surfaces with stitch detail	STD	OPT	OPT	OPT
Combination leatherette and fabric seating surfaces	–	STD	STD	STD
Heated front seats	–	STD	STD	STD
8-way power adjustable driver's seat with seat back pocket	–	OPT	OPT	OPT
6-way adjustable driver's seat	STD	STD	STD	STD
4-way adjustable front passenger seat	STD	STD	STD	STD
Front passenger seat back pocket	STD	STD	STD	STD
60/40 split fold-down rear seats with independent slide and reclining adjustments (2nd row)	STD	STD	STD	STD
50/50 3rd-row flat fold-down feature	STD	STD	STD	STD
Front dual-zone climate control	–	–	–	STD
Automatic climate control	STD	STD	STD	STD
Micron air filtration	STD	STD	STD	STD
Leather-wrapped steering wheel and shift knob	STD	STD	STD	STD
Tilt/telescoping steering wheel	STD	STD	STD	STD
Gloss black shifter panel with silver accent	STD	STD	STD	STD
Leather-wrapped door armrest and trim panel insert	–	OPT	OPT	OPT

INTERIOR FEATURES (CONT.)	ES FWD	SE FWD	SE S-AWC	GT S-AWC
Wood-grain appearance trim panels	–	OPT	OPT	STD
Silver painted trim panels	STD	STD	STD	–
Soft-touch upper instrument panel and door trim	STD	STD	STD	STD
Rear heater floor ducts	STD	STD	STD	STD
Carpeted floor mats	STD	STD	STD	STD
Remote hood and fuel door release lever	STD	STD	STD	STD

CONVENIENCE FEATURES	ES FWD	SE FWD	SE S-AWC	GT S-AWC
MMCS Navigation system with 7-in. high-definition touch panel, voice command, 3D mapping, point-of-interest information and real-time traffic (replaces std. audio system head unit)	–	OPT	OPT	OPT
710-watt Rockford-Fosgate® premium sound system with 9 speakers including 10-in. dual-voice coil subwoofer with Punch Control®, DTS® Neural Surround, PremiDIA-WIDE® surround, and Dolby® Volume	–	OPT	OPT	OPT
6.1-in. touch panel display audio system (replaces std. audio system head unit)	–	STD	STD	STD
140-watt AM/FM/CD/MP3 audio system with 6 speakers	STD	STD	STD	STD
SiriusXM® Satellite Radio with 3-mo. subscription ²	–	OPT	OPT	STD
Digital HD Radio ³	–	STD	STD	STD
FUSE Hands-free Link System® with Bluetooth® technology, USB port, and steering wheel controls ⁴	STD	STD	STD	STD
Voice-activated Bluetooth® hands-free phone system	ACC	STD	STD	STD
Color LCD multi-information display (trip meter and odometer, outside temperature, average fuel consumption and driving distance, drive mode indicator, transmission position indicator, water temperature warning light, low fuel warning)	–	STD	STD	STD
Rearview camera system	–	STD	STD	STD
Steering wheel-mounted cruise control and audio controls	STD	STD	STD	STD
Power remote liftgate	–	OPT	OPT	OPT
FAST-Key passive entry system with panic alarm feature	–	STD	STD	STD
Remote keyless entry with panic feature	STD	–	–	–
One-touch Start/Stop (OSS) engine switch	–	STD	STD	STD

CONVENIENCE FEATURES (CONT.)	ES FWD	SE FWD	SE S-AWC	GT S-AWC
ECO Mode switch	STD	STD	STD	STD
Cruise control	STD	STD	STD	STD
Power door locks and side-view mirrors	STD	STD	STD	STD
Power windows with driver's side auto up/down feature	STD	STD	STD	STD
12-volt accessory outlets (x2)	STD	STD	STD	STD
Floor center console box with armrest and cup holders (x2)	STD	STD	STD	STD
Instrument panel lower-center storage	STD	STD	STD	STD
Door trim pocket with bottle holder (x4)	STD	STD	STD	STD
Pocket tissue and pen holder	STD	STD	STD	STD
Rear seat center armrest with cupholders	STD	STD	STD	STD
3rd-row cupholder and storage space	STD	STD	STD	STD
Underfloor cargo area storage	STD	STD	STD	STD
Cargo tie-down utility hooks (x4)	STD	STD	STD	STD
Retractable assist grips (x4)	STD	STD	STD	STD

SAFETY AND SECURITY

ES FWD	SE FWD	SE S-AWC	GT S-AWC
Adaptive Cruise Control (ACC) system ³	—	OPT	OPT
Forward Collision Mitigation (FCM) system ⁵	—	OPT	OPT
Lane Departure Warning (LDW) system ⁴	—	OPT	OPT
Hill Start Assist (HSA)	STD	STD	STD
Anti-lock Braking System (ABS) with Electronic Brakeforce Distribution (EBD) and brake assist	STD	STD	STD
Active Stability Control (ASC)	STD	STD	STD
Traction Control Logic (TCL)	STD	STD	STD
Tire Pressure Monitoring System (TPMS)	STD	STD	STD
Front and rear SRS curtain airbags ² (1st and 2nd-row occupants) with rollover protection	STD	STD	STD
Front seat-mounted SRS side airbags ²	STD	STD	STD
Driver's SRS knee airbag ²	STD	STD	STD
Advanced dual-stage SRS front airbags ²	STD	STD	STD
Head impact protection roof and pillar trim	STD	STD	STD
Three-point seatbelts and head restraints for all seating positions	STD	STD	STD
Height adjustable front shoulder belts with pretensioner	STD	STD	STD
LATCH child-restraint system	STD	STD	STD
Child safety rear door locks	STD	STD	STD
Anti-theft security alarm system and engine immobilizer	STD	STD	STD
RISE body construction	STD	STD	STD
Crumple zones for pedestrian protection	STD	STD	STD

FACTORY PACKAGES

SE Premium Package:

- Optional for SE FWD and SE S-AWC
- 710-watt Rockford-Fosgate® premium sound system with 9 speakers including 10-in. dual-voice coil subwoofer with Punch Control®, DTS® Neural Surround, PremiDIA-WIDE® surround, and Dolby® Volume⁶
- SiriusXM® Satellite Radio with 3 mo. pre-paid subscription⁹
- Leather seating surfaces
- Power glass sunroof with tilt and slide and one-touch open/close switch
- Power remote liftgate
- 8-way power adjustable driver's seat with seat back pocket
- Wood-grain appearance trim panels (door trim and instrument panel)
- Black roof rails

SE Touring Package:

- Optional for SE FWD and SE S-AWC (must combine with Premium Package)
- MMCS Navigation system with 7-in. high-definition touch panel, voice command, 3D mapping, point-of-interest information and real-time traffic, and Mapcare® (includes two map updates; replaces std. audio system head unit)
- SiriusXM® Satellite Radio with 3 mo. pre-paid subscription⁹
- Adaptive Cruise Control (ACC) system³
- Forward Collision Mitigation (FCM) system⁵
- Lane Departure Warning (LDW) system⁴

GT Premium Package:

- Optional for GT S-AWC
- 710-watt Rockford-Fosgate® premium sound system with 9 speakers including 10-in. dual-voice coil subwoofer with Punch Control®, DTS® Neural Surround, PremiDIA-WIDE® surround, and Dolby® Volume⁶
- Leather seating surfaces
- Power glass sunroof with tilt and slide and one-touch open/close switch
- Power remote liftgate
- 8-way power adjustable driver's seat with seat back pocket
- Silver roof rails

GT Touring Package:

- Optional for GT S-AWC (must combine with Premium Package)
- MMCS Navigation system with 7 in. high definition touch panel, voice command, 3D mapping, point-of-interest information, real-time traffic, and Mapcare® (includes two map updates; replaces std. audio system head unit)
- Adaptive Cruise Control (ACC) system³
- Forward Collision Mitigation (FCM) system⁵
- Lane Departure Warning (LDW) system⁴

OPTIONS

Navigation System:

- Navigation system with 7-in. high-definition touch panel, voice command, 3D mapping, point-of-interest information, real-time traffic, and Mapcare® (includes two map updates; replaces std. audio system head unit)

Interior Package - Piano Black:

- Available on ES and SE
- Aluminum/leather shift knob
- Piano black accent panels

Interior Package - Black and Silver:

- Available on ES and SE
- Aluminum/leather shift knob
- Brushed silver accent panels
- Piano black door switch panels

Protection Package

- Scuff plates
- Rear bumper step protector
- Body side moldings
- Liftgat protector

LED Illumination Package

- Floor illumination (Blue LED)
- Liftgate illumination (Blue LED)
- Interior lights

Cargo Package

- Cargo tray
- Cargo net

Entertainment Package

- Rear seat DVD player
- Remote control
- Infrared wireless headphones

All Weather Package

- Remote engine start
- All-weather floor mats (4)

Towing Package

- Tow hitch
- Trailer tow wire harness

Wind Deflector Package

- Side wind deflectors
- Hood protector

Park Assist Sensors Package

- Front and rear park assist sensors

Chrome Package:

- Available on SE and GT
- Door handle covers
- Sideview mirror covers

ACCESSORIES

Sunroof Wind Deflector: Available on SE and GT

Roof Rack Crossbars: Available on all trims

Fog Lights: Available on ES

Wheel Locks: Available on SE and GT

All Weather Floor Mats (4): Available on all trims

Mudguards: Available on all trims (front and rear mudguards)

Tonneau Cover: Available on all trims

Alloy Fuel Door: Available on all trims

Large Rear Spoiler: Available on SE and GT

Third Row Floor Mat: Available on all trims

Body Side Moldings (color-keyed): Available on all trims

Rear Park Assist Sensors: Available on all trims

[—] NOT AVAILABLE [STD] STANDARD [OPT] FACTORY PACKAGE [ACC] ACCESSORY FEATURES AND OPTIONS SUBJECT TO CHANGE WITHOUT NOTICE.

WARRANTY See retailer for limited warranty and roadside assistance terms and conditions.

Powertrain	10-year/100,000-mile limited warranty	The 10-year/100,000-mile Powertrain Limited Warranty applies only to the original owner of new, retail 2015 models purchased from an authorized Mitsubishi dealer. Subsequent owners receive the balance of the New Vehicle Limited Warranty of 5 years/60,000 miles. Different coverage applies to the Mitsubishi i-MiEV, Lancer RALLIART and Evolution. The Mitsubishi i-MiEV, Lancer RALLIART and Evolution have 3-year/36,000-mile coverage for New Vehicles and 5-year/60,000-mile coverage for Limited Powertrain Warranty.	Mitsubishi Motors North America, Inc. 6400 Katella Ave., Cypress, CA 90630-0064 1-888-MITSU2015
Basic	5-year/60,000-mile limited warranty		
Anti-corrosion/Perforation	7-year/100,000-mile limited warranty		
Roadside assistance	5-year/unlimited mile		

Log on to our website and browse our full lineup of new vehicles, get MSRP and customer rebate information and "build" the Mitsubishi that's right for you. The site can help you locate your nearest dealer - or even have a dealer contact you.

Technical data, equipment and options shown are based on the latest information available at the time of printing and are subject to change without notice. Colors may vary due to the printing process. Exterior and interior lights on vehicles shown may be illuminated for illustration purposes only. Vehicles are shown with optional equipment. Not all equipment is available on every model. For more complete details about equipment configuration and Mitsubishi Genuine Accessories, please contact your Mitsubishi Retailer.

MITSUBISHICARS.COM