

1981 OLDSMOBILE

TORONADO • NINETY-EIGHT • DELTA 88 • CUSTOM CRUISER



Oldsmobile

We've had one built for you.

Today, more than ever, America is looking for quality in the cars it buys.

That's why we think you're going to like what you see in the 1981 Oldsmobiles.

Oldsmobile's commitment to value and quality goes back farther than any car maker in America — to 1897. In fact, the Oldsmobile Motor Vehicle Company was founded with this single-minded purpose: "...to build one carriage in as nearly perfect a manner as possible..."

We've been at it ever since — offering quality and total value.

And this is exactly what American car buyers want these days. You've made us the third best-selling American nameplate, year after year. You've made Cutlass America's favorite car — of any size, any price, import or domestic. Over the past five years, you've made Delta 88 the fastest-growing full-size car. And more recently, you've made Oldsmobile America's number one seller of diesel-powered automobiles.

For 1981, America is also looking for fuel economy. And our new Oldsmobiles are ready to meet your needs there, too.

The accompanying Engine Supplement Sheet contains the EPA estimates for all our cars, plus highway estimates and range estimates for city and highway. We think you'll find them impressive.

To achieve optimum levels of fuel efficiency, a number of improvements have

been engineered into our 1981 models — expressly to help conserve energy.

Computer Command Control. On all standard 1981 gasoline engines. It helps reduce exhaust emissions while allowing good fuel efficiency. Its electronic control module monitors engine speed, coolant temperature and oxygen in the exhaust. This data is analyzed at thousands of calculations per second, then the carburetor is adjusted to control combustion — so the catalytic converter can minimize emissions. Result? We're helping to clean the air, while providing good fuel economy.

Torque converter clutch. It's standard in the automatic transmissions on Cutlass, Delta 88, Ninety-Eight and all Cruiser models. It engages at cruising speeds to increase the efficiency of power transfer from engine to road, and prevents fuel-wasting slippage.

New four-speed overdrive automatic transmission. Now standard on Ninety-Eights, Custom Cruisers, and available on Delta 88s with 4.3 and 5.0-liter V8s. The .67 ratio overdrive fourth gear reduces engine RPMs at highway speeds, and that contributes to impressive fuel economy.

Low drag front disc brakes. Now standard on all 1981 Delta 88, Ninety-Eight and Omega models. This feature helps reduce fuel-consuming friction.

Diesel V8 economy. Oldsmobile,

America's number one seller of diesel-powered cars, is offering the fuel-saving benefits of a 5.7-liter diesel engine — with new roller hydraulic lifters and extended service intervals. The diesel V8 is available in 19 models, including all Cutlass, Cruiser, Delta 88, Ninety-Eight and Toronado models.

Easy-roll tires. All 1981 Oldsmobile models will include easy-roll tires as standard equipment. These tires are designed to help reduce fuel-consuming roll resistance and contribute to fuel economy.

There's much more to like about the 1981 Oldsmobiles, as you will find by studying these pages, model by model. We're confident we have an Oldsmobile that's built for you — but which one depends on your needs and preferences.

So seek it out. Drive it proudly. Whether you buy it or lease it, our commitment to quality and value rides with you every mile of the way.

Table of contents:

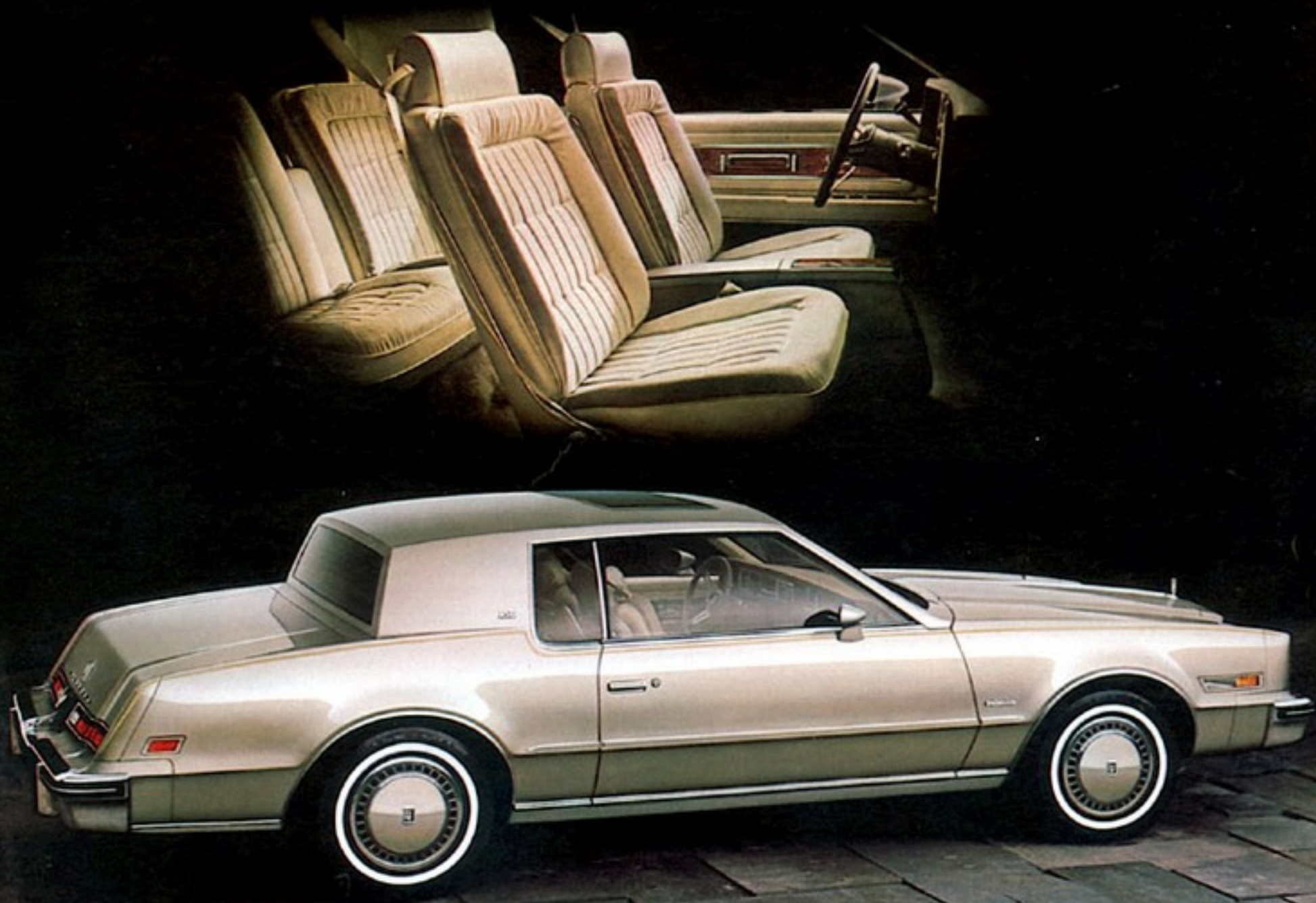
Toronado	Pages 3-5
Torono Facts/Figures	6-7
Ninety-Eight	8-11
Ninety-Eight Facts/Figures	12-13
Delta 88	14-19
Delta 88 Facts/Figures	20-21
Custom Cruiser	22-23
Custom Cruiser Facts/Figures	24-25
Options/Accessories	26-27
Complete Olds Line	28

A word about this catalog: We have tried to make this catalog as comprehensive and factual as possible and we hope you find it helpful. However, since the time of printing, some of the information you will find here may have been updated. Also, some of the equipment shown or described throughout

this Oldsmobile catalog is available at extra cost. Your dealer has details and, before ordering, you should ask him to bring you up to date. The right is reserved to make changes at any time, without notice, in prices, colors, materials, equipment, specifications and models. Check with your Oldsmobile dealer

for complete information.

A word about engines: Oldsmobiles are equipped with GM-built engines produced by various divisions. See your dealer for details. Please refer to the "Engine Supplement Sheet" provided to your dealer for engine source and EPA mileage estimates.

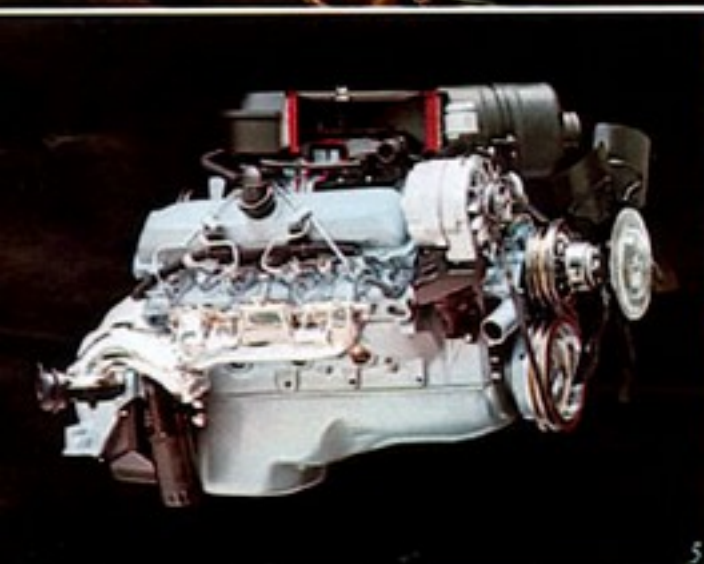


TORONADO XSC: All that's Toronado, with special credentials of its own.



TORONADO BROUGHAM

Have one built for you. For you alone.



Toronado '81: Uncommon luxury and impressive fuel economy, too.* Certainly you want the style, luxury and front-wheel drive that are Toronado hallmarks. They're so nice to enjoy. And you get them all in 1981... with a big plus.

The plus is an economical 4.1-liter V6 engine that's now standard on Toronado for the first time. The fuel economy is impressive. Other engine options are also available on Toronado: a 5.0-liter gas V8 and a 5.7-liter diesel V8.

Toronado. Have one built for you. For you alone.

1. The Toronado control center. 2. A real touch of class. Supple leather inserts in seats and seat backs are available in Doeskin, Maple Red and Slate Gray. 3. 15.2 cubic feet of lined and

carpeted trunk space. 4. (a) Standard wheel discs (b) XSC painted discs (c) Locking simulated wire discs (d) Aluminum sport wheel. 5. 5.7-liter diesel V8 engine available. 6. Convenient combination armrest and control panel. 7. Available Twilight Sentinel chases away shadows after you park.

TORONADO STANDARD EQUIPMENT:**Chassis and body:**

- Computer Command Control ■ Electronic high-energy ignition system ■ Power brakes with front discs ■ Power steering ■ Front torsion bar and rear coil spring suspension ■ Full torque-beam frame construction ■ Compact spare tire and wheel ■ New side-frame jacking system ■ Space-efficient trunk ■ Bumper impact strips plus front and rear guards with inserts ■ Extensive anti-corrosion treatments and sound deadeners ■ Automatic level control system ■ Tungsten halogen high beam headlamps ■ Freedom II maintenance-free battery ■ Four-wheel independent suspension ■ Deluxe wheel discs ■ Easy-roll tires.

Interior:

- Divided bench front seat with individual controls ■ Power 6-way seat adjuster, driver side ■ Full-foam cushions throughout ■ Power side windows ■ Side window defoggers ■ Four-Season air conditioner ■ Front armrests with power controls ■ Cigar lighter ■ Electric digital clock ■ Power door locks ■ Cut-pile carpeting wall-to-wall and lower door panels ■ Deluxe luggage compartment trim and spare tire cover ■ Interior hood release ■ Instrument panel temperature and trip

- odometer gauges ■ Simulated Butterfly Walnut-grain instrument panel trim ■ Remote control outside mirrors, driver and passenger sides ■ AM-FM stereo radio, power antenna, 2 rear speakers ■ Deluxe seat belts, all passenger positions ■ Soft-Ray tinted glass ■ Deluxe steering wheel.

ADDITIONAL STANDARD EQUIPMENT:

- Engine, 4.1-liter V6 (252 CID) 4-bbl. ■ Transmission, 3-speed automatic ■ Tires, P205/75R15 steel-belted radial-ply white-stripe ■ Moldings: bright roof drip, rocker panel, wheel-opening, belt reveal.

TORONADO XSC STANDARD EQUIPMENT:

- Contour bucket front seats ■ Sport console (shifter on column) ■ Leather-wrapped custom sport steering wheel ■ Instrument panel gauges ■ Larger front and rear stabilizer bars ■ Tires, P225/70R15 steel-belted radial-ply white-stripe ■ Painted wheel discs ■ Dual remote-control sport mirrors ■ Accent stripe ■ XSC emblems.

TORONADO AVAILABLE EQUIPMENT:

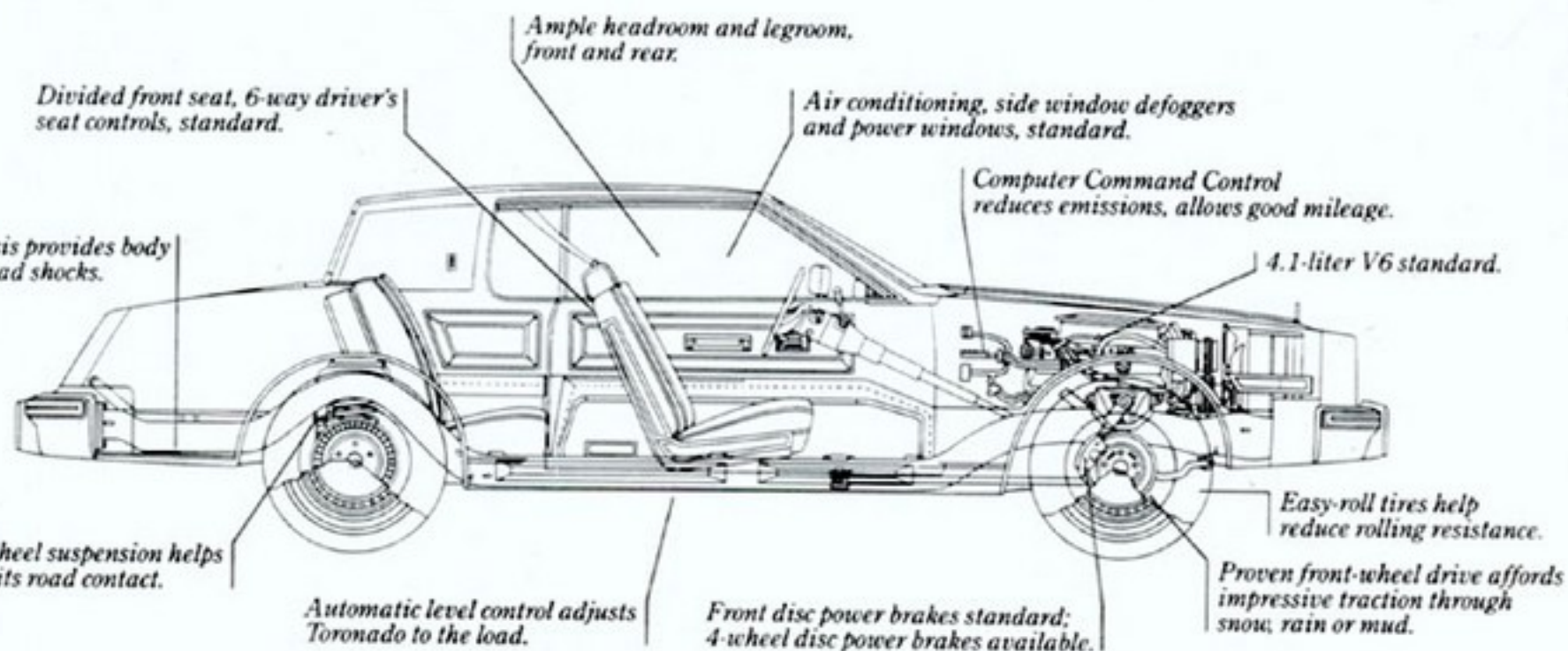
- Powertrains, see below
- Reclining seat back, passenger side, manual or power
- Reclining seat back, driver side, manual

- Power trunk-lid lock release
- Auxiliary floor mats, front and rear with carpet inserts
- Luggage compartment floor mat
- Body side molding, color-keyed to body
- Bright door-edge guard moldings
- Electric sunroof with sliding metal panel**
- Electric sliding tinted glass Astrorooft**
- Pulse wiper system
- Landau rooftop covering, padded vinyl
- Electric rear window defogger
- Tempmatic air conditioner
- Exterior sail panel opera lamps
- Combination dome and dual-lens reading lamp
- Illumination package, front door locks and interior
- Outside mirrors, electrically operated driver and passenger sides
- Illuminated visor vanity mirror, passenger side
- Outside mirror, remote control with illuminated thermometer, driver side
- Body side accent stripe
- Power disc brakes, rear
- Engine block heater
- Diesel engine block and fuel line heater
- Automatic Cruise Control

- Tilt-Away steering wheel
- Tilt-and-Telescope steering wheel
- Simulated wire wheel disc
- Simulated wire wheel disc with lock
- Cast aluminum styled wheel
- High-capacity battery
- Theft-deterrent system
- Digital fluorescent clock
- Radio and tape players (see page 27)
- Instrument cluster gauges
- Exterior lamp monitor, front and rear
- Special Firemist exterior paint
- Custom leather interior seating
- Convenience group, lamps and mirrors
- Reminder package, indicators
- Special lower body paint scheme
- XSC Package
- Puncture-sealing tires
- California emission equipment

AVAILABLE SPECIAL USE EQUIPMENT:

- Firm ride and handling package
- High-capacity Delcotron
- Trailer electrical wiring harness
- High-capacity engine cooling system

Toronado: Our state of the art in personal luxury cars.**POWER TRAINS*****Standard engine:**

Liter/CID/Type 4.1/252/V6

Carb./Std. axle ratio 4-bbl./2.93

Available engines:

Liter/CID/Type 5.0/307/V8

Carb./Std. axle ratio 4-bbl./2.41

Liter/Type 5.7/diesel V8

Std. axle ratio 2.41

Standard transmission Automatic

Fuel tank capacity (gal.) 21.1

Gasoline 21.1

Diesel 22.8

DIMENSIONS

Length (in.) 206.0

Width (in.) 71.4

Height (in.) 54.6

Wheelbase (in.) 114.0

Tread—front (in.) 59.3

rear (in.) 60.0

Wheel size—std. 15 x 6

Tire size—std. P205/75R15

Curb weight (lbs.) 3677

Front:

Legroom (in.) 42.8

Headroom (in.) 37.9

Shoulder Room (in.) 56.6

Rear:

Legroom (in.) 38.9

Headroom (in.) 37.9

Shoulder Room (in.) 55.9

Trunk capacity (cu. ft.) 15.2

**Headroom is reduced slightly when electric sunroof or Astrorooft is ordered.

*See EPA mileage estimates in accompanying Engine Supplement Sheet.



NINETY-EIGHT REGENCY

Beautiful way to experience luxury while acknowledging the realities of today.



NINETY-EIGHT REGENCY: Makes buying a luxury car logical.

You expect luxury in a Ninety-Eight. But economy like this? Remarkable!™ For 1981, Oldsmobile will offer the kind of fuel economy you never associated with a spacious luxury car like Ninety-Eight.

That's because a lively V6 (newly

standard) will offer impressive fuel economy. And a new 4-speed overdrive automatic transmission (also standard) combines two features which also contribute to excellent highway fuel economy.

The overdrive allows you to

maintain highway speeds with substantially lower engine speeds. And a torque converter clutch found on its automatic transmissions, helps provide efficient power transfer from engine to the road at highway speeds.

If you prefer, you may select the available 5.7-liter diesel V8 for added savings on fuel. (Now with roller hydraulic valve lifters and extended oil change intervals.)

In addition, new higher-pressure, easy-roll tires and low-drag power



NINETY-EIGHT LS: A remarkable value in today's world of luxury cars.

front disc brakes enhance economy.

Of course, all Ninety-Eight models with standard gasoline engines will feature the new Computer Command Control system that electronically helps reduce emissions while allowing good fuel economy.

What you may enjoy most of all, however, is the way the Ninety-Eight ride has been engineered to preserve its renowned smoothness on the road. That's *real* luxury.

And, of course, Ninety-Eight comes with all the amenities that

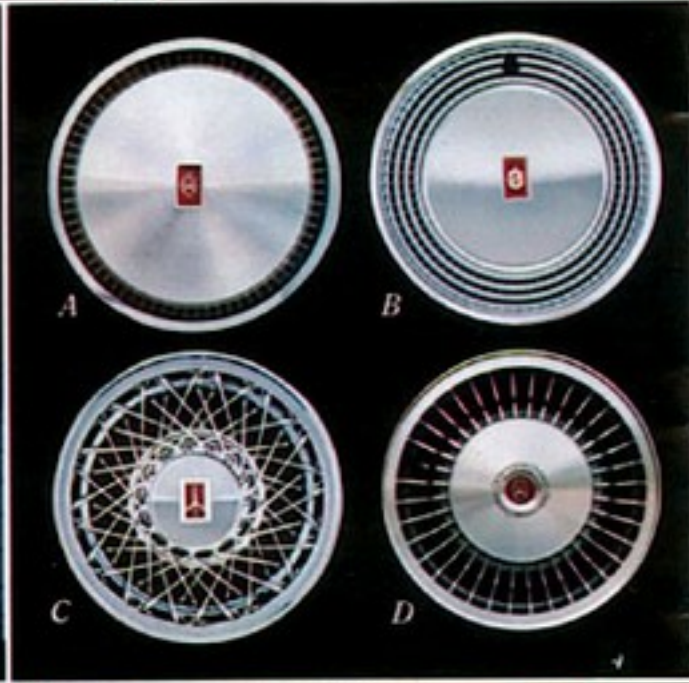
make owning one such a pleasure. Everything from air conditioning to automatic transmission to power just-about-everything! Check the list on page 13.

So whether you buy one or lease one, you can expect all the luxury

inherent in Ninety-Eight. And fuel economy some smaller cars would envy.

The Ninety-Eight Regency. This is the ultimate luxury Oldsmobile. Compare it to other luxury cars priced thousands of dollars higher

*See EPA mileage estimates in accompanying Engine Supplement Sheet.



and Regency could become your most logical choice.

Plush new velours grace the loose-pillow-look Regency interior. The front seat is divided, and power seat is standard for the driver.

The Ninety-Eight LS. As you can

see, our lowest priced Ninety-Eight sedan presents an elegant way to enjoy Ninety-Eight room, luxury and comfort for six—while enjoying the benefit of good fuel economy.

LS also provides many features you might expect to pay extra for in

lesser cars—a fact which adds to its value and your enjoyment.

1. The elegant Ninety-Eight instrument panel. 2. Your investment is protected by advanced anti-corrosion technology. 3. This distinctive two-tone treatment is available in 10 color

combinations. 4. (a) Standard wheel disc (b) Deluxe (c) Locking simulated wire (d) New aluminum road wheels.

5. 5.7-liter diesel V8 available. 6. Regency interior available with leather inserts in seats and seat back areas in Maple Red or Doeskin. 7. 20.5 cubic feet of trunk space.

NINETY-EIGHT STANDARD EQUIPMENT:

Chassis and body:

■ Computer Command Control ■ Torque-beam frame ■ Computer-selected chassis springs ■ Full-coil front and rear suspension ■ Extensive rust-resisting treatments ■ Extensive use of anti-corrosion materials ■ Special lower body plastisol application fights stone chipping ■ Power front low-drag disc brakes ■ Power steering ■ Electronic high-energy ignition system ■ Recessed windshield wipers ■ Space-efficient trunk with compact tire and wheel; deluxe trim and spare wheel cover (Regency) ■ Side-lift frame jack ■ Bumper impact strips and bumper guards, front and rear ■ Freedom II maintenance-free battery ■ Dual remote-control mirrors ■ Rear fender skirts ■ Full wheel discs and ornament ■ Moldings: bright roof drip, rocker panel and wheel-opening ■ Easy roll tires

Interior:

■ Full-foam seat construction throughout ■ Front and rear armrests with integral power controls ■ Four-Season air conditioner ■ Armrest bench front seat (Luxury Sedan) ■ Divided bench front seat with individual controls (Regency) ■ Cut-pile carpeting wall-to-wall plus lower door panels ■ Simulated Butterfly Walnut-grain instrument panel trim ■ Cigar lighters ■ Electric clock (digital)

Regency) ■ Interior hood release ■ AM-FM four-speaker stereo radio with front and rear speakers (Regency) ■ Power 2-way seat adjuster, driver side ■ Power side windows ■ Deluxe steering wheel ■ Deluxe seat belts for all passengers ■ Flo-thru ventilation ■ Head restraints ■ Day/night mirror

OTHER STANDARD EQUIPMENT:

■ Engine, 4.1-liter (252 CID) V6, 4-bbl. ■ Transmission, 4-speed overdrive automatic ■ Tires, P215/75R15 steel-belted radial-ply white-stripe ■ Sail panel opera lamp (Regency)

NINETY-EIGHT AVAILABLE EQUIPMENT:

□ Powertrains, see below
 □ Six-way power seat adjuster
 □ Reclining seat back, passenger side
 □ Power door locks
 □ Soft-Ray tinted glass
 □ Power trunk-lid lock release
 □ Auxiliary floor mats, front and rear
 □ Auxiliary floor mats, front and rear with carpet inserts
 □ Luggage compartment floor mat
 □ Body side molding and bright door-edge guard moldings
 □ Astrorooftop, electric sliding tinted glass panel**

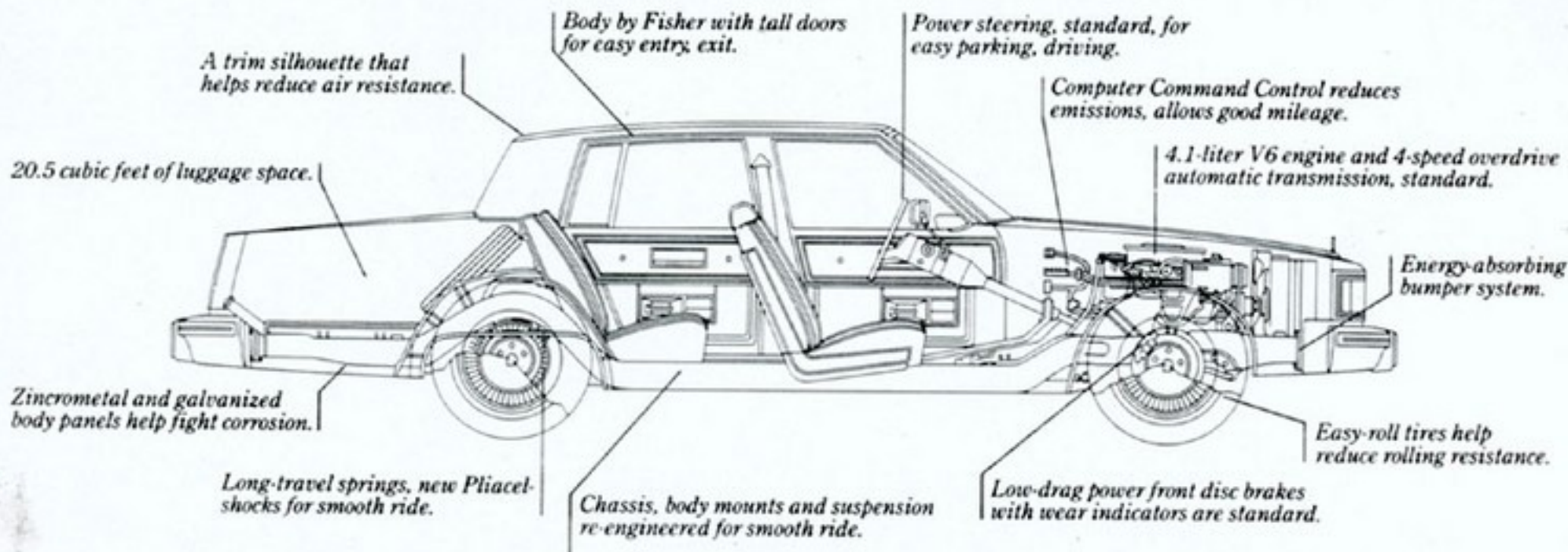
□ Full vinyl padded rooftop covering (Sedans)
 □ Landau vinyl rooftop covering (Coupe)
 □ Pulse wiper system
 □ Electric rear window defogger
 □ Tempmatic air conditioner
 □ Theft-deterrent system
 □ Sail panel reading lamps (Sedans)
 □ Combination dome and dual lens reading lamp
 □ Illumination package, front door locks and interior
 □ Electrically operated outside mirrors driver and passenger side
 □ Litter container
 □ Illuminated visor vanity mirror, passenger side
 □ Outside mirror, remote control with thermometer, driver side
 □ Accent stripe, body side
 □ Limited-slip differential
 □ Engine block heater
 □ Diesel engine block and fuel line heater
 □ Automatic Cruise Control with resume feature
 □ Tilt-Away steering wheel
 □ Tilt-and-Telescope steering wheel
 □ Simulated wire wheel disc
 □ Simulated wire wheel disc with lock
 □ Cast aluminum styled wheel

□ Deluxe wheel disc
 □ Tungsten halogen headlamps, high beam
 □ Twilight sentinel
 □ Cornering lamps
 □ High-capacity battery
 □ Digital fluorescent clock
 □ Digital clock (std. on Regency)
 □ Radio and tape players (see page 27)
 □ Instrument panel gage cluster
 □ Trip odometer
 □ External lamp monitor, front and rear
 □ Automatic power front fender antenna
 □ Special Firemist exterior paints
 □ Custom leather interior trim (Regency)
 □ Convenience group, lamps and mirrors
 □ Reminder package, indicators and warning reminders
 □ Special lower body paint scheme
 □ Tires, P225/75R15 steel-belted radial-ply white-stripe
 □ Puncture-sealing tires

AVAILABLE SPECIAL USE EQUIPMENT:

□ Heavy-duty suspension
 □ Automatic leveling system
 □ High-capacity Delcoltron
 □ Heavy-duty wheels
 □ Trailer electrical wiring harness, 5-wire
 □ High-capacity engine cooling system

Ninety-Eight: Luxury, engineered with logic.



POWER TRAINS*

Standard engine:

Liter/CID/Type 4.1/252/V6
 Carb./Std. axle ratio 4-bbl./3.23

Available engines:

Liter/CID/Type 5.0/307/V8

Carb./Std. axle ratio 4-bbl./2.73

Liter/Type 5.7/diesel V8

Std. axle ratio 2.41

Standard transmission Automatic

Fuel tank capacity (gal.)

Gasoline 25.0

Diesel 27.0

DIMENSIONS (LS Sedan)

Length (in.) 221.1

Width (in.) 76.3

Height (in.) 57.2

Wheelbase (in.) 119.0

Tread - front (in.) 61.7

rear (in.) 60.7

Wheel size - std. (in.) 15 x 6

Tire size - std. P215/75R15

Curb weight (lbs.) 3803-3856

Front:

Legroom (in.) 42.2

Headroom (in.) 39.5

Shoulder Room (in.) 60.8

Rear:

Legroom (in.) 41.9

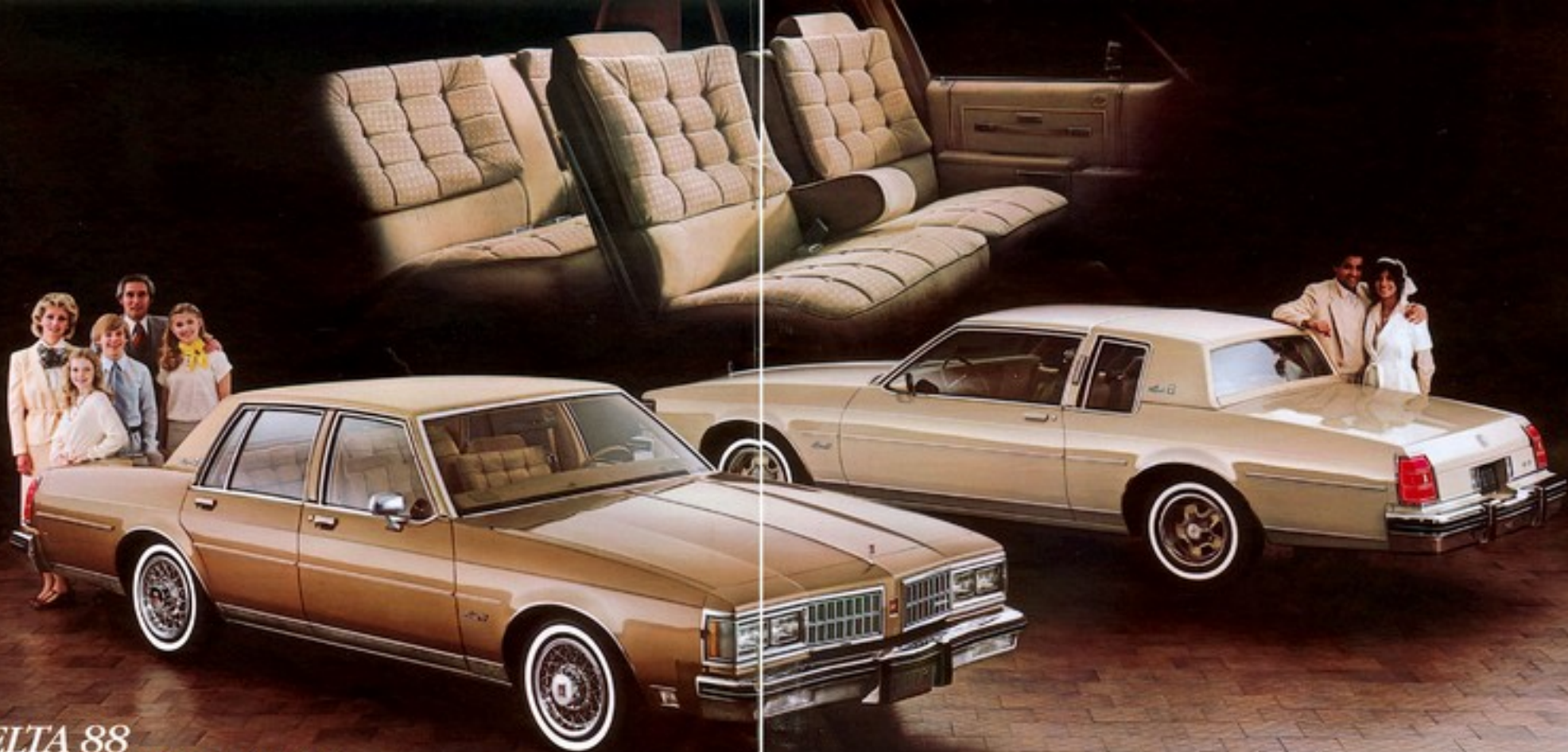
Headroom (in.) 38.1

Shoulder Room (in.) 61.0

Trunk capacity (cu. ft.) 20.5

**Headroom is reduced slightly when Astrorooftop is installed.

*See EPA mileage estimates in accompanying Engine Supplement Sheet.



DELTA 88
ROYALE BROUGHAM
The family car that didn't forget the family.



DELTA 88 ROYALE: Get the Royale treatment in this handsome sedan.

Just what the family ordered: Fuel efficiency in every Delta 88.*

Would a family car ever forget what's important to the family?

For example, would it forget your family's concern about operating economy? Not our Delta 88. Here

are some of the things we did to provide economy. And they really pay off on Delta 88. For example, consider...

An efficient 3.8-liter V6 is standard. But we give families a choice, provide engines according to their

needs. So you can also order a 4.3-liter V8, a 5.0-liter V8 or a 5.7-liter diesel V8. (The diesel gets especially good mileage and gets it on fuel that usually costs less than gasoline.)

But that's only the beginning.

There's a new 4-speed overdrive automatic transmission that comes standard with the available 5.0-liter V8. To put it simply, it means your engine doesn't have to work as hard on the highway. Result? Impressive highway economy.



DELTA 88 ROYALE: Be treated in Royale fashion in this stylish coupe.

There's also a torque converter clutch that's standard on all Delta 88 models. What it does is help provide efficient power transfer from engine to the road at highway speeds.

That also goes for the higher-

pressure, easy-roll tires, the low-drag power front disc brakes, the aerodynamic design of the 88.

For 1981, there's a new Computer Command Control system that's on all Delta 88s with standard gasoline engines. What it does is

monitor the air/fuel mixture electronically through an on-board computer. It reduces emissions to the lowest point ever achieved by Oldsmobile, while allowing good fuel economy at the same time.

Would a family car forget

important things like room and comfort for six? A cavernous, vacation-sized trunk? A ride so smooth and quiet it's conducive to conversation? Not our family car.

Would it forget things that make a Delta 88 so nice to drive? Power

*See EPA mileage estimates in accompanying Engine Supplement Sheet.



DELTA 88 HOLIDAY: Our bucket-seating, T-bar shifting, sporty-driving 88.

steering? Power front disc brakes? Automatic transmission? Not at all. They're standard equipment.

Finally, it doesn't forget you paid hard-earned money to buy your 88 and protects your investment — and future resale value — with extensive

anti-corrosion protection.

The family car. We've had one built for *your* family. All you have to do is decide which of our seven Delta 88s it will be. Then just sit back and enjoy, enjoy, enjoy!

Delta 88 Royale Brougham. Your

family is going to be pampered in style in these Brougham beauties. The sumptuous velour fabrics are smartly tailored into a fashionable loose-pillow-look design. The front seat is divided so driver and passenger may each individually

adjust their side for personalized comfort. And you can order an interior with genuine leather inserts in seats and seat backs.

Delta 88 Royale. These are our most popular 88s, and you can easily see why. Their sleek looks



DELTA 88: The family car where value is the name of the game.

and handsome interiors make them a family favorite all across the country. Available in both coupe and sedan versions, they give plenty of headroom, legroom and kneeroom. They're magnificently detailed, deeply cushioned and

provide a beautiful setting for a family like yours. **Delta 88 Holiday.** Start out with generously sized bucket seats contoured for support. Slip a console between them with a handy T-bar shifter. Add a custom sport steering

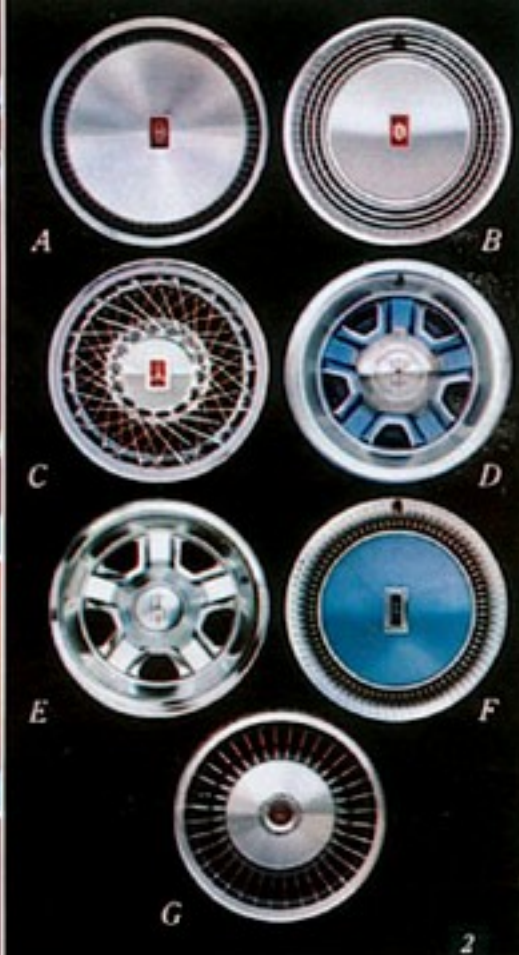
wheel, color coordinated dual sport mirrors and painted wheel discs. What you have is a man-sized sports coupe born for the road.

Naturally, you can add your own touches to make your Holiday still sportier. Like the tinted-glass

Astrorooft, firm ride and handling suspension package, a body-side paint scheme.

Delta 88. When it comes to basic family car value, these 88s really know how to deliver. Compare them with their dollar-for-dollar compe-

*See EPA mileage estimates in accompanying Engine Supplement Sheet.



tion and you'll see what we mean. Compare them for price, value, quality, engineering and resale value. Then you'll understand why Delta 88 has been America's fastest growing full-size car over the past five years. It's a lot of car for the

money. A lot of car for your family. 1. The Delta 88 instrument panel, elegant, efficient. 2. 88 wheels and discs: (a) Standard disc (b) Deluxe disc (c) Simulated wire disc (d) Super Stock III wheel with matching body color (e) Custom sport wheel (f) Holiday

painted wheel disc (g) New aluminum road wheel. 3. Aerodynamic design of Delta 88 contributes to fuel economy. 4. Freedom II maintenance-free battery. You don't have to do a thing. 5. 3.8-liter V6 is standard. So are the savings. 6. Extensive use of zinc-rich primers, wax sealers and anti-corrosion metals

help provide protection against rust. 7. Diesel V8 fuel economy is available in every Delta 88 model. 8. Easy-roll tires reduce rolling resistance. 9. Genuine leather inserts for seats and seat backs are available in the Royale Brougham, with divided front seat standard. 10. 20.8 cubic feet of usable trunk space.

DELTA 88 STANDARD EQUIPMENT—All Models:**Chassis and body:**

- Computer Command Control ■ Full torque-beam frame construction ■ Computer-selected chassis springs ■ Full coil suspension, front and rear ■ Body designed to reduce aerodynamic drag ■ Extensive rust-resisting treatments and methods ■ Extensive applications of new anti-corrosion materials ■ Special lower body plastisol application fights stone chipping ■ Low-drag power front disc brakes ■ Power steering ■ Electronic high-energy ignition system ■ Recessed windshield wipers ■ Space-efficient trunk with compact spare tire and wheel ■ Side-lift jack location ■ Bumper impact strips and bumper guards, front and rear ■ Freedom II maintenance-free battery ■ Front-end panel stand-up ornament ■ Full wheel discs ■ Driver side outside rear view mirror ■ Bright rocker panel and wheel-opening moldings ■ Roof drip moldings ■ Lock pillar applique molding (Coupe) ■ Easy roll tires

Interior:

- Full-foam seat construction ■ Armrests, front and rear ■ Cut-pile wall-to-wall carpeting ■ Simulated Butterfly Walnut-grain instrument panel trim ■ Deluxe steering wheel ■ Door actuated courtesy lamps ■ Cigar lighter ■ Bright accents on accelerator and brake pedals ■ Inside day-night rearview mirror ■ Interior hood release ■ Dual front seat head restraints ■ Seat belts for all passenger positions ■ Flo-thru ventilation ■ Bench front seat in choice of cloth or vinyl

STANDARD EQUIPMENT BY MODEL:**Delta 88 Royale Brougham:**

- Engine, 3.8-liter (231 CID) V6, 2-bbl. ■ Transmission, 3-speed fully automatic column shift ■ Tires, P205/75R15 steel-belted radial-ply blackwall ■ Moldings: belt reveal, body side ■ Lock pillar opera lamp (Coupe) ■ Divided bench seat with individual controls, in velour

Delta 88 Royale:

- Engine, 3.8-liter (231 CID) V6, 2-bbl. ■ Transmission, 3-speed fully automatic column shift ■ Tires, P205/75R15 steel-belted radial-ply blackwall ■ Moldings: body side ■ Custom sport bench seat with fold-down center armrest in velour

Delta 88:

- Engine, 3.8-liter (231 CID) V6, 2-bbl. ■ Transmission, 3-speed fully automatic column shift ■ Tires, P205/75R15 steel-belted radial-ply blackwall

Available Delta 88 Holiday Coupe Package:

- Contour bucket front seats, Sport console with T-bar shifter, Custom sport steering wheel, Dual sport mirrors, Painted wheel discs, Specific Holiday identification

DELTA 88 AVAILABLE EQUIPMENT:

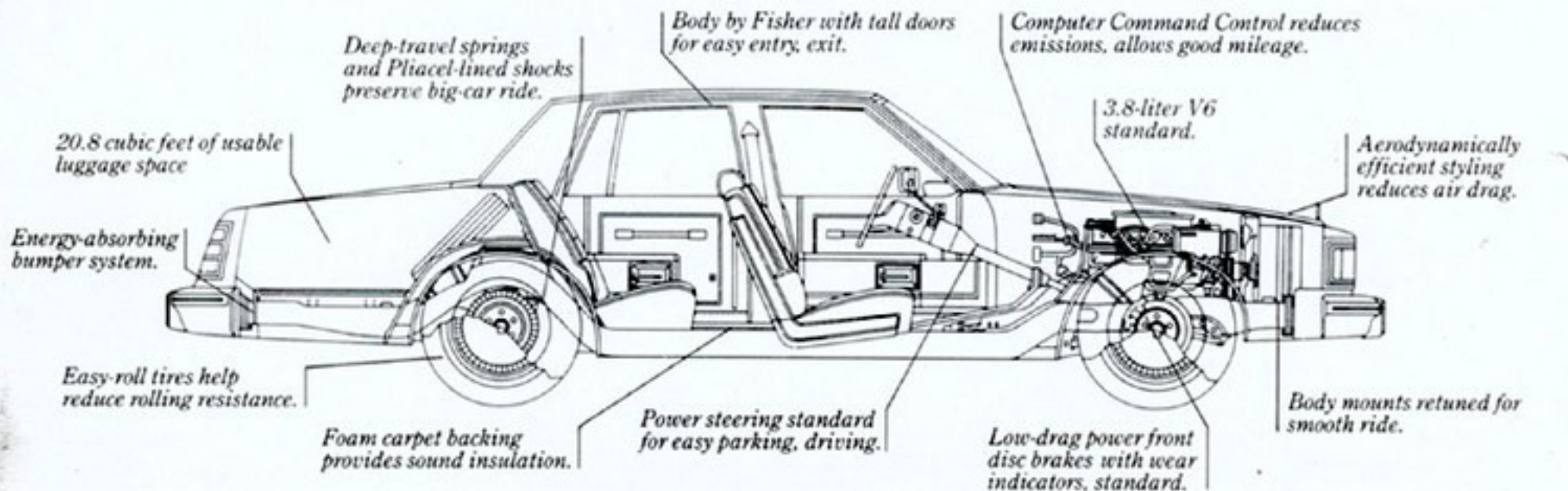
- V8 powertrains, see below
- 6-way power seat adjuster, bucket seat only—driver side (Holiday Coupe)
- Deluxe seat belts—color-keyed to interior
- 6-way power seat adjusters, driver and passenger sides with divided seat only (Royale and Royale Brougham)

- Divided front seat with individual controls (Royale and Royale Brougham)
- Reclining seat back—passenger side
- Power door locks
- Soft-Ray tinted glass
- 6-way power seat adjuster—bench seat
- Electric trunk-lid lock release
- Lower body side moldings
- Auxiliary floor mats, front and rear—with carpet inserts if desired
- Luggage compartment rubber floor mat
- Deluxe trunk trim and spare tire cover
- Moldings: body side and bright door-edge guards; belt reveal (Royale)
- Electric tinted glass Astrorof**
- Pulse wiper system
- Padded vinyl landau rooftop covering (Coupes) or full vinyl covering (Sedans)
- Electric rear window defogger
- Four-Season or Tempmatic air conditioner
- Lock pillar opera lamp (Coupes only)
- Combination dome, dual reading lamps
- Front door locks and interior illumination package
- Mirrors, outside remote control, driver side only, passenger side manual; electrically operated, driver and passenger sides
- Litter container
- Upper body accent stripe
- Limited-slip differential
- Engine block heater
- Diesel engine block and fuel line heater
- Automatic Cruise Control
- Tilt-Away or Tilt-and-Telescope steering wheel

- Super-Stock III wheels, color-matched to body
- Custom chrome sport wheels
- Cast aluminum road wheels
- Simulated wire wheel discs, regular or with locks
- Tungsten halogen headlamps—high beams
- Cornering lamps
- High-capacity battery
- Theft-deterrent system
- Electric clocks: regular, digital or digital fluorescent
- Radio and tape players (see page 27)
- Automatic front fender antenna
- Instrument panel gage cluster
- Trip odometer
- External lamp monitor, front and rear
- Convenience group, lamps and mirror
- Custom leather trim (Royale Brougham)
- Special indicator reminder package
- Special lower body paint scheme
- Tires, P205/75R15 steel-belted radial-ply white-stripe
- Tires, P215/75R15 steel-belted radial-ply white-stripe
- Puncture-sealing tires

AVAILABLE SPECIAL USE EQUIPMENT:

- Suspension package
- Automatic leveling system
- High-capacity Delcotron
- Heavy-duty wheels
- Special trailer electrical wiring harness
- High-capacity cooling system
- Heavy-duty engine cooling system

Delta 88: Built and backed with a great engineering heritage.

POWER TRAINS*		DIMENSIONS (Sedan)		WHEELS		REAR	
Standard engine:	Liter/CID/Type 5.0/307/V8	Length (in.)	218.1	Wheel size—std. (in.)	15 x 6	Rear Legroom (in.)	39.1
Liter/Std. axle ratio	4-bbl./2.41	Width (in.)	76.3	Tire size—std.	P205/75R15	Headroom (in.)	38.2
Liter/CID/Type	5.7/diesel V8	Height (in.)	56.7	Curb weight (lbs.)	3563	Shoulder Room (in.)	60.9
Carb./Std. axle ratio	2.41	Wheelbase (in.)	116.0			Trunk capacity (cu. ft.)	20.8
Standard transmission	Automatic	Tread—front (in.)	61.7	Front:			
Fuel tank capacity (gal.)	25.0	Tread—rear (in.)	60.7	Legroom (in.)	42.2		
Gasoline	25.0			Headroom (in.)	39.5		
Diesel	27.0			Shoulder Room (in.)	60.9		

*See EPA mileage estimates in accompanying Engine Supplement Sheet.



CUSTOM CRUISER

The features you expect in a wagon, the qualities you expect in an Oldsmobile.



CUSTOM CRUISER



Custom Cruiser. It has a great capacity for luxury. With velour upholstery (at no extra charge), plush carpeting from front wall to rear tailgate, Custom Cruiser is as elegant inside as many a luxurious sedan. But with

all the versatility, the cargo-carrying capacity (87.2 cubic feet) you expect in a practical-minded station wagon.

Long on economy, too.* A 5.0-liter V8 and 4-speed overdrive automatic transmission are both

standard. If you'd like still more miles per gallon, Custom Cruiser offers an available diesel V8.

1. Handsome, all-vinyl upholstery (or vinyl and cloth combination) is also available — no extra charge.
2. 87.2 cubic feet of cargo room, with

the second seats down — and the rear opening is over 4 feet wide. 3-way tailgate opens down, opens to side, for easy access. 3. Lockable hideaway for small valuables. 4. Fold-down third seat available to provide 8-passenger capacity. 5. Our available diesel V8 means more miles per gallon.

CUSTOM CRUISER STANDARD EQUIPMENT:**Chassis and body:**

■ Computer Command Control ■ Electronic high-energy ignition system ■ Low-drag power front disc brakes ■ Power steering ■ Full-coil suspension, front and rear ■ Torque-beam full frame ■ Easy-roll tires ■ Heavy-duty wheels ■ Bumper impact strips plus front and rear guards with inserts ■ Extensive anti-corrosion materials and treatments and sound deadeners ■ Special lower body plastisol application fights stone chipping ■ Freedom II maintenance-free battery ■ Rear storage compartment with lock ■ Spare tire extractor ■ Side-frame jacking system

Interior:

■ Armrest bench front seat ■ Full-foam cushions throughout ■ Cut-pile carpeting, lower door panels plus cargo area ■ Simulated Butterfly Walnut-grain instrument panel trim ■ Warning lamp when tailgate is ajar ■ Driver-controlled electric tailgate window ■ Three-way tailgate operation ■ Cigar lighter ■ Interior hood release ■ Instrument panel courtesy lamps with automatic switches ■ Seat belts for all passenger positions ■ Fold-down rear seat ■ Deluxe steering

wheel ■ Flo-thru ventilation ■ Head rests

ADDITIONAL STANDARD EQUIPMENT:

■ Engine, 5.0-liter (307 CID) V8, 4-barrel ■ 4-speed overdrive automatic transmission ■ Moldings: bright roof drip, bright side window, wheel-opening and rocker panels, belt reveal ■ Full wheel discs

CUSTOM CRUISER AVAILABLE EQUIPMENT

□ Power trains, see below
 □ 6-way power seat adjuster, driver side with divided seat
 □ 6-way power seat adjuster, passenger side with divided seat
 □ Deluxe seat belts, color-matched to interior
 □ Divided front seat with individual controls
 □ Rear-facing third seat, includes rear bumper step
 □ Reclining seat back, passenger side
 □ Power door locks, includes tailgate lock
 □ Soft-Ray tinted glass
 □ Power side windows
 □ Lower body side moldings
 □ Body side and tailgate Walnut-grain vinyl panels
 □ Auxiliary floor mats, front and rear
 □ Auxiliary floor mats, front and rear with carpet inserts

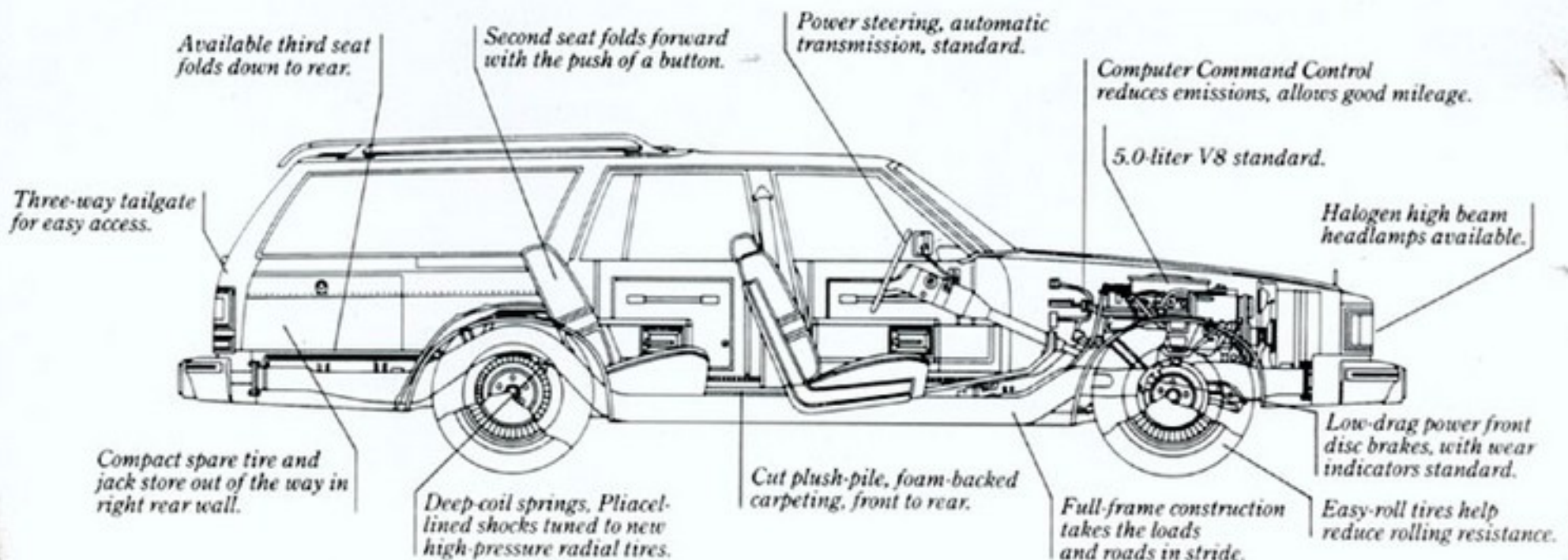
□ Body side moldings
 □ Bright door-edge guard moldings
 □ Pulse wiper system
 □ Four-Season air conditioner
 □ Tempmatic air conditioner
 □ Combination dome and dual-lens reading lamp
 □ Illumination package, door locks and interiors
 □ Mirror, remote control outside, passenger side
 □ Mirrors, electrically operated outside rear-view, driver and passenger sides
 □ Mirror, remote control outside, driver side
 □ Mirror, sport-styled remote control outside, driver side; passenger side manual
 □ Mirror, illuminated visor vanity passenger side
 □ Mirrors, sport-styled outside remote control, driver and passenger sides
 □ Litter container
 □ Limited-slip differential
 □ Diesel engine block and fuel heater
 □ Engine block heater
 □ Automatic Cruise Control
 □ Tilt-Away steering wheel
 □ Tilt-and-Telescope steering wheel
 □ Simulated wire wheel discs

□ Simulated wire wheel discs with lock
 □ Cast aluminum road wheels
 □ Deluxe wheel disc
 □ Tungsten halogen headlamps, high beams
 □ Cornering lamps
 □ High-capacity battery
 □ Digital fluorescent electric clock
 □ Digital electric clock
 □ Electric clock
 □ Radio and tape players (see page 27)
 □ Automatic power front fender antenna
 □ Radio speakers, rear seat, single and dual
 □ Rear bumper step, included in third seat package
 □ Rooftop luggage carrier, includes rear window air deflector
 □ Convenience group, lamps and mirrors
 □ Reminder package, indicators
 □ Tires, P225/75R15 steel-belted radial-ply white-stripe
 □ Puncture-sealing tires

AVAILABLE SPECIAL USE EQUIPMENT:

□ Heavy-duty suspension system
 □ Automatic leveling system
 □ High-capacity Delcotron
 □ Trailer electrical wiring harness—5-wire
 □ High-capacity engine cooling system

Under the luxury, solidly engineered for sedan-like comfort.



POWER TRAINS*	
Standard engine:	
Liter/CID/Type	5.0/307/V8
Carb./Std. axle ratio	4-bbl./2.73
Available engines:	
Liter/Type	5.7/diesel V8
Std. axle ratio	2.73
Standard transmission	Automatic

FUEL TANK CAPACITY (gal.)	
Gasoline	22.0
Diesel	22.0
DIMENSIONS	
Length (in.)	220.3
Width (in.)	79.8
Height (in.)	58.5

Wheelbase (in.)	116.0
Tread—front (in.)	62.1
rear (in.)	64.1
Wheel size—std. (in.)	15 x 7
Tire size—std.	P225/75R15
Curb weight (lbs.)	4024
Front:	
Legroom (in.)	42.2

Headroom (in.)	39.6
Shoulder Room (in.)	60.6
Rear:	
Legroom (in.)	37.8
Headroom (in.)	39.3
Shoulder Room (in.)	60.5
Cargo area:	
Max. cargo area (cu. ft.)	87.2

Max. floor length (in.)	90.2
Floor length, 2nd seat up	55.4
Min. width, at floor (in.)	83.8
Rear opening width (in.)	48.2
Max. rear opening height	28.7
Cargo height inside (in.)	29.7

*See EPA mileage estimates in accompanying Engine Supplement Sheet.



DELCO-GM PREMIUM RADIOS	Toro	98	88	Cruiser
AM-FM Stereo Pushbutton with Stereo Tape Player	A	A	A	A
AM-FM Electronically Tuned Stereo Pushbutton with Digital Clock and Stereo Tape Player	A	A	NA	NA
Same as above but with 40-Channel CB	A	A	NA	NA
Same as above but with Cassette Tape Player instead of CB Radio	A	A	NA	NA
AM-FM Electronically Tuned Stereo Pushbutton with Digital Clock	A	A	A	A
AM-FM Stereo Pushbutton with Cassette Tape Player	A	A	A	A
AM-FM Electronically Tuned Stereo Pushbutton with Digital Clock, Cassette Tape Player, 40-Channel CB, Power Fender Antenna	A	A	NA	NA
AM-FM Stereo Pushbutton with 40-Channel CB, Power Fender Antenna	A	A	A	A
AM-FM Stereo Pushbutton	S	S Regency	A	A
AM Pushbutton	NA	A (LS)	A	A
AM-FM Monaural Pushbutton	NA	A (LS)	A	A

S - Standard A - Available NA - Not Available



Personal touches available for the Olds that's built for you. 1. Radios? Check list above. 2. Tilt-Wheel. 3. Twilight Sentinel. 4. Reminder package. 5. Cruise Control with resume-speed feature. (Left, 88, 98. Right, Toronado.) 6. Theft-deterrent package. 7. Reclining front seat. 8. Pulse wipers let you set a variety of delay-interval wipers. 9. Fluorescent digital clock. 10. Rear window defogger. 11. Halogen high-beam headlamps. 12. Cornering lamps. 13. Fiber-optic lamp monitors. 14. Lighted visor

vanity mirror. 15. Power antenna. 16. Illumination package lightens your entry. 17. Tempmatic air conditioning. 18. Takes care of you and your Olds during and after the new vehicle limited warranty. Available in U.S. and Canada only. 19. Six-way power seat adjuster. 20. Electric sliding sunroof. Additional options listed on pages 7, 13, 21, 25.

NOTE: Availability of optional equipment varies by model. Check your Oldsmobile dealer for details.

A word about assembly, components and optional equipment in these Oldsmobile products: The Oldsmobiles described in this catalog are assembled at facilities of General Motors Corporation operated by Oldsmobile Division and General Motors Assembly Division. These vehicles incorporate thousands of different components produced by various divisions of General Motors and by various suppliers to General Motors. From time to time during the

manufacturing process, it may be necessary, in order to meet public demand for particular vehicles or equipment, or to meet federally mandated emissions, safety and fuel economy requirements, or for other reasons, to produce Oldsmobile products with different components or differently sourced components than initially scheduled. All such components have been approved for use in Oldsmobile products and will provide the quality performance associated



**Continuous
Protection
Plan**

18



with the Oldsmobile name.

With respect to extra cost optional equipment, make certain you specify the type of equipment you desire on your vehicle when ordering it from your dealer. Some options may be unavailable when your car is built. Your dealer receives advice regarding current availability of options. You may ask the dealer for this information. GM also requests the dealer to advise you if an option you ordered is unavailable.

We suggest that you verify that your car included the optional equipment you ordered or if there are changes, that they are acceptable to you.

Standard accident-avoidance features: Side marker lights and reflectors □ Parking lamps that illuminate with headlamps □ Four-way hazard warning flasher □ Backup lights □ Lane change feature in direction signal control □ Windshield defrosters, washer and dual speed wipers □ Vinyl-edged

inside mirror □ Outside rearview mirror □ Dual master cylinder brake system with warning light □ Starter safety switch □ Dual action safety hood latches.

Standard built-in anti-theft features: Anti-theft ignition key reminder buzzer □ Anti-theft steering column lock. **Standard occupant-protection features:** Manual lap belts with push-button buckles for rear and center front

□ Manual lap/shoulder belts for driver (with reminder light and buzzer) and right front passenger □ Energy-absorbing steering column □ Passenger guard door locks □ Safety door latches and stamped steel hinges □ Folding seat back latches □ Energy-absorbing padded instrument panel and front seat back tops □ Laminated windshield/tempered side and rear glass □ Safety armrests □ Identification symbols for controls and displays.

There's an Olds that's built for you. Just pick one.

CUTLASS			
 <i>CUTLASS SUPREME BROUGHAM COUPE</i>	 <i>CUTLASS SUPREME COUPE</i>	 <i>CUTLASS CALAIS COUPE</i>	 <i>CUTLASS BROUGHAM SEDAN</i>
CUTLASS CRUISER			
 <i>CUTLASS LS SEDAN</i>	 <i>CUTLASS SEDAN</i>	 <i>CUTLASS CRUISER BROUGHAM (1)</i>	 <i>CUTLASS CRUISER</i>
OMEGA			
 <i>OMEGA BROUGHAM COUPE</i>	 <i>OMEGA BROUGHAM SEDAN (2)</i>	 <i>OMEGA COUPE (3)</i>	 <i>OMEGA SEDAN</i>
TORONADO		NINETY-EIGHT	
 <i>TORONADO BROUGHAM COUPE (4)</i>	 <i>98 REGENCY COUPE</i>	 <i>98 REGENCY SEDAN</i>	 <i>98 LUXURY SEDAN</i>
DELTA 88			
 <i>DELTA 88 ROYALE BROUGHAM COUPE</i>	 <i>DELTA 88 ROYALE BROUGHAM SEDAN</i>	 <i>DELTA 88 ROYALE COUPE</i>	 <i>DELTA 88 ROYALE SEDAN</i>
 <i>DELTA 88 COUPE (5)</i>	 <i>DELTA 88 SEDAN</i>	 <i>CUSTOM CRUISER (1)</i>	<p>(1) WITH AVAILABLE WOOD-GRAIN VINYL (2) ES PACKAGE AVAILABLE (3) SPORTOMEGA OR SX PACKAGE AVAILABLE (4) XSC PACKAGE AVAILABLE (5) 88 HOLIDAY PACKAGE AVAILABLE</p> 

Printed colors are approximates only, and may vary from actual car paint colors. Printed in U.S.A. 8-89

1981 OLDSMOBILE EXTERIOR COLORS ON ALL MODELS

WHITE	SILVER METALLIC	BLACK	LIGHT BLUE METALLIC	DARK BLUE METALLIC	SANDSTONE BEIGE	MEDIUM SANDSTONE METALLIC	DARK SANDSTONE METALLIC	DARK MAPLE BEECH METALLIC	ALL MODELS EXCEPT OMEGA		
									LIGHT JADESTONE METALLIC	DARK JADESTONE METALLIC	MAPLE RED METALLIC

ALL MODELS EXCEPT OMEGA AND TORONADO	ALL MODELS EXCEPT TORONADO	OMEGA MODELS ONLY				TORONADO ONLY		TORONADO AND NINETY-EIGHT ONLY		
PASTEL SAUTERNE	SAUTERNE GOLD METALLIC	DARK GREEN METALLIC	BRIGHT YELLOW	ORANGE METALLIC	BRIGHT RED	PASTEL BEIGE	DUSKY METALLIC	DARK JADESTONE FIREMIST	SILVER FAWN FIREMIST	SLATE GRAY FIREMIST