

FORD

'93

# THUNDERBIRD





Only a few automobiles today are so universally recognized that they require but one word of introduction. The name of the car itself.

Among the few is Thunderbird. A name that over the years has come to be synonymous with excellence in personal luxury and performance.

Since 1955, the familiar Thunderbird emblem has evoked images of the greatest rewards

driving has to offer. Today, its finest expression is the Thunderbird Super Coupe.

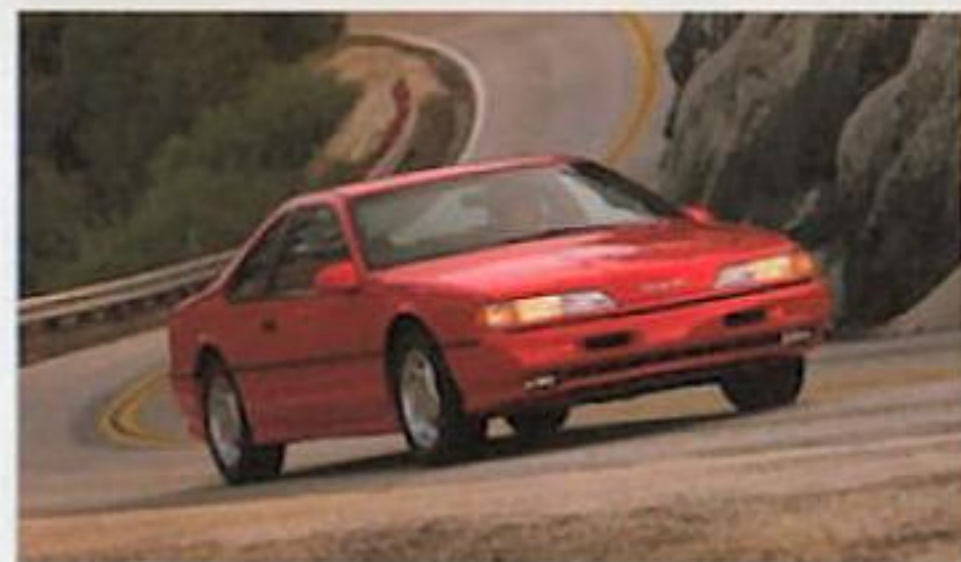
The styling is pure Thunderbird, dynamic and graceful. An eloquent statement of Ford design leadership in this age of aerodynamic cars.

And the interior is exceptionally appointed and highly ergonomic in every detail. An environment designed expressly for the serious driver.

But the real enjoyment begins, as it should, the moment the Super Coupe takes flight.

Supercharging and intercooling. Computer-controlled sequential electronic fuel injection. 4-wheel anti-lock disc brakes. An electronically adjustable suspension. 16-inch Z-rated radials.

Its mechanical integrity and advanced technology masterfully blended. A world-class performance.



Above: Thunderbird Super Coupe in Oxford White. At left: Super Coupe in Crystal Clearcoat Metallic. Some equipment shown is optional.

## DRIVER CONTROL

There's a special attribute all true driver's cars, past and present, have in common: The focus of interior design is on the driver.

In much the same way as a car's performance depends on engineering quality and precision, a driver's performance at the wheel depends on the car's ergonomic design excellence.

and physically, as the driver. The objective of driver ergonomics is to enable you to devote as much attention as possible to controlling the car.

You'll find the most important controls positioned within close reach and identifiable quickly by touch, and the instruments located and colored so that they are easy to read at a glance.



With this understanding, Ford designers crafted the Thunderbird's ergonomic interior with their sights on the goal that all designers strive for in a genuine driver's car: Driver control.

How easily and naturally you interact with the car is of prime importance in the total ergonomic equation. In Thunderbird, behind every detail of design you sense by sight or touch is a careful understanding of how you function, both mentally

The steering wheel (a unique design in each model) provides an unobstructed view of the instrument cluster as well as a firm grip (leather-wrapped in LX; sport soft-feel in Super Coupe).

The seating is designed for firm and supportive comfort. At right is the Super Coupe interior, whose articulated sport seats with power-adjustable lumbar support and seat-back bolster complement the car's high-performance capability.

*Above: The Super Coupe's analog cluster has white-on-black graphics, a tachometer and supercharger boost gauge. Temperature and oil pressure gauges are at the ends of the cluster.*

*Right: Controls for the electric remote outside mirrors, power windows and door locks are positioned for maximum convenience on a door-mounted panel.*

*Far right: The Thunderbird Super Coupe interior with articulated sport seats in black. Some equipment, such as the automatic transmission and leather seating surfaces, is optional.*





The Thunderbird would be a fine car to own even if it were not as luxuriously equipped as it is. Because important as personal appointments are in this class of car, more significant still is quality of design and engineering.

In striving to be the best in overall design quality, we employ a "Best-in-Class" philosophy, the principles of which guided the Thunderbird's

modern design. In areas ranging from vehicle dynamics and mechanical operation to comfort and aesthetics, we evaluated more than 350 Thunderbird features against the likes of the Mercedes 190E and BMW 6-Series.

Our goal was to be "Best-in-Class" in as many features as possible or necessary, with our sights always on the ultimate customer benefit of each.

We compared, for example, Thunderbird's body joints for structural integrity against those of a variety of import and domestic cars. So when you experience Thunderbird's quiet comfort and solid feel over the road, what you're experiencing is a result of our "Best-in-Class" approach to design.

While for us it isn't the easiest and least costly approach, for you it certainly is the best.

*Above: Thunderbird LX in Midnight Opal Clearcoat Metallic. Some equipment shown is optional.*

## COMFORT

A luxurious 5-passenger driver's car. This is the essence of Ford Thunderbird. It's a personal car for those who truly enjoy driving. But it's also for those who appreciate just as well the enjoyment of sitting back and riding along as a passenger.

Today's Thunderbird, just as its heralded predecessors did, combines in a special way attributes of sportness and elegance.

Between the well-designed and handsomely upholstered front bucket seats is a full-length

**Ford Thunderbird is the result of our designers' goal to create a personal car that's as much a pleasure to ride in as it is to drive.** console with padded armrest, storage bin, and leather-wrapped shift lever. The door panels are luxuriously trimmed, have courtesy lights. The carpeting is a thick, plush 24-oz. cut-pile.

The Thunderbird environment provides ample room for five adult passengers. The seats, front and rear, are firm and supportive — the result of thousands of miles of testing and evaluation.

Air conditioning is standard. Power windows, front seat-back recliners, AM/FM stereo/cassette and leather-wrapped wheel, too. And there are luxury items like 6-way power seat adjustment (driver-side included, passenger-side optional).

And with Thunderbird's high structural strength, extensive sound insulation, and 4-wheel independent suspension with gas-pressurized shock absorbers, you have what is perhaps the finest feature of all. Smooth ride comfort.



Above: Thunderbird LK interior in Opal Grey. Some equipment shown is optional.

Far left: Full analog performance instrumentation, a tachometer included, is standard. A trip odometer, too.

At left: The electronic instrument cluster is an option available in the Thunderbird LK model. A handy trip computer is included.

## RIDE AND HANDLING

Finely balanced ride and handling. It's one of the attributes that make the Thunderbird a complete personal car for those who really love to drive.

Thunderbird's advanced 4-wheel independent suspension, equipped with components such as nitrogen gas-pressurized shock absorbers and variable-rate coil springs, is engineered to deliver not only a smooth ride but tight handling as well.

**Precise handling as well as smooth ride quality: Both are yours to enjoy in the Thunderbird tradition of luxury-sport motoring.**

The handling part of the equation is further enhanced by a stabilizer bar up front and at the rear. Also, the suspension incorporates a rear toe-control link similar to those found on European performance cars. It's designed to control a wheel's direction as the suspension moves up and down, especially during hard acceleration, cornering and braking.

Sophisticated, too, is the variable power-assist "speed-sensitive" steering. Responding to electronic speed sensors located at the wheels, this state-of-the-art, computer-controlled system provides more power assist at low speeds (when you're cornering or parking, for example) and progressively reduces power assist as rpm increase for a firmer steering feel at cruising speeds.



Super Coupe's body-contoured front articulated sport seats are designed to help hold you in place when you're cornering. They include power-

adjustable lumbar and side bolster supports for comfort and control. And they can be adjusted to a wide range of positions to suit individual needs.

Switches for the Thunderbird Super Coupe's automatic ride control suspension are located on the center console for ease of reach and operation.



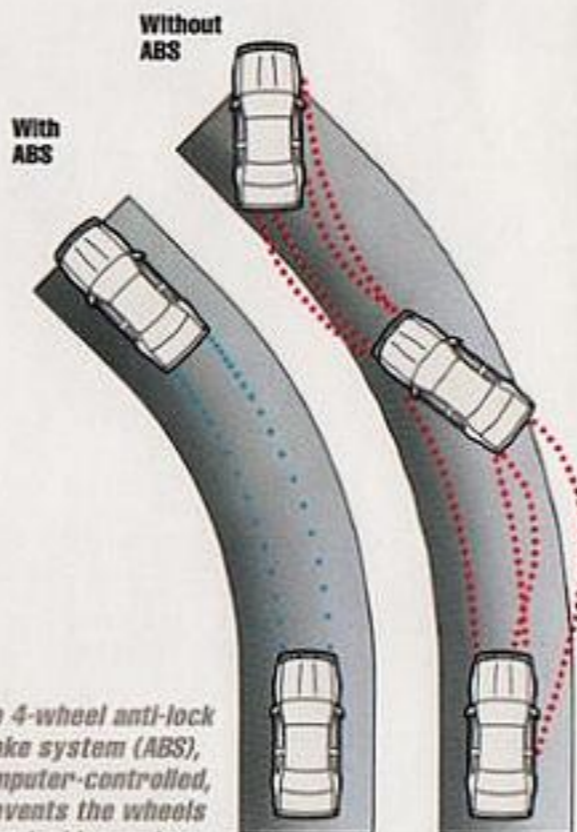
With its special suspension package, the Thunderbird Super Coupe takes you into the world of high-performance handling.

This package consists of 16-inch P225 Z-rated performance tires, a 1.10"-diameter solid front stabilizer bar and a 0.90"-diameter solid rear stabilizer bar, higher-rate coil springs, plus higher-rate front suspension lower arm pivot bushings.

Included as well is the automatic ride control suspension. Its microprocessor monitors signals from speed, brake pressure, steering and acceleration sensors, then automatically adjusts the shock absorber damping with split-second precision to suit the driving situation. Damping

is "normal" for a smooth ride or "firm" when extra handling is required (the "firm" mode may also be selected manually).

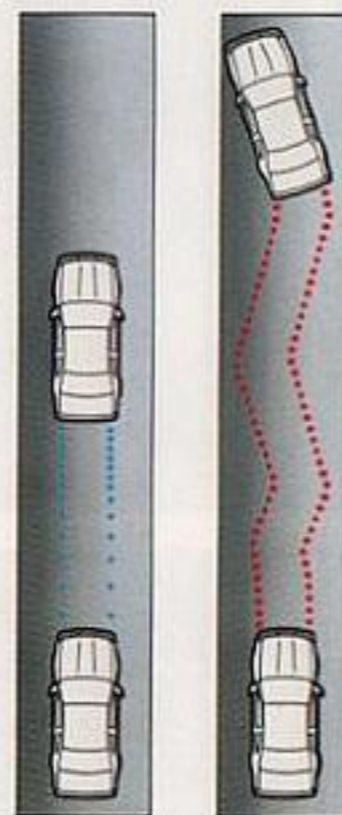
Yet another high-tech system standard in the Super Coupe is 4-wheel disc anti-lock braking.



The 4-wheel anti-lock brake system (ABS), computer-controlled, prevents the wheels from locking up in a hard braking situation by applying and releasing the brakes at a rate of speed far exceeding that of human capability — up to 10 times per second. It's much like a professional driver who skillfully "pumps" the brakes, only much faster.

Anti-lock braking technology provides greater steering control (illustrated above) and smooth, straight stops (illustrated below) under most conditions, even on wet and slippery roads.

ABS is standard on Thunderbird Super Coupe and optional on Thunderbird LX.



With ABS

Without ABS





**POWER**

Thunderbird gives you the power to choose the kind of performance that matches your driving style. The Thunderbird LX offers a 3.8-liter V-6 standard or a 5.0-liter HO V-8 option. Under the Super Coupe's hood is a supercharged V-6.

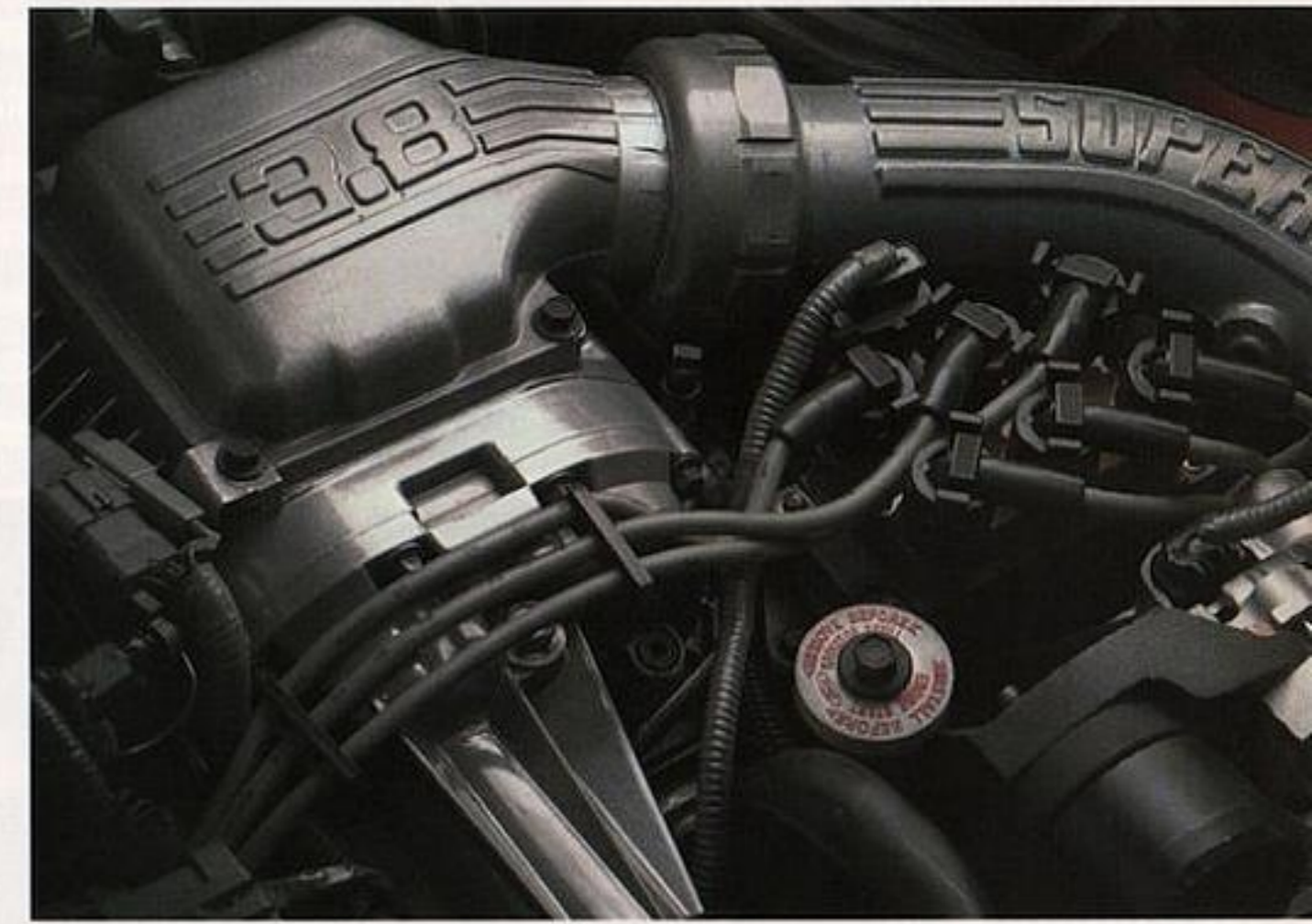
The 3.8-liter V-6 is smooth and responsive. Its state-of-the-art sequential electronic fuel-injection (SEFI) system releases fuel efficiently and precisely to each cylinder in "sequence" with the engine's spark firing order. Fuel metering is one of the numerous operations governed by the sophisticated EEC-IV computer, which constantly fine-tunes the engine to the requirements of the moment.

The 5.0-liter HO (high-output) V-8 is also equipped with sequential electronic fuel injection. It puts out 200 horsepower (SAE net) @ 4,000 rpm and 275 lbs./ft. of torque @ 3,000 rpm.

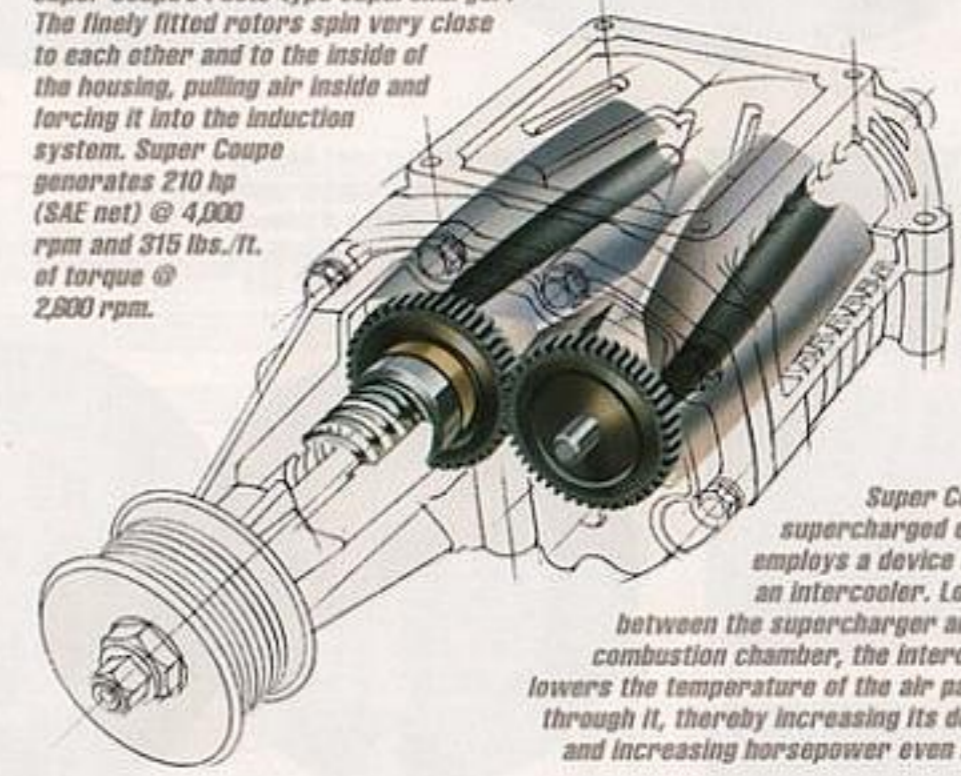
The 3.8-liter SEFI supercharged V-6 gives you the best of both worlds: 6-cylinder fuel economy at constant speeds (EPA estimates were unavailable at press time) and muscular V-8 power on demand when the supercharger kicks in.

Mechanically driven, the supercharger works across a broad range of engine rpm. Response is quick even at a standing start, without the momentary "lag" associated with turbocharging.

The 3.8-liter SCV-6 is the most powerful supercharged production engine in America.



*Super Coupe's roots-type supercharger: The finely fitted rotors spin very close to each other and to the inside of the housing, pulling air inside and forcing it into the induction system. Super Coupe generates 210 hp (SAE net) @ 4,000 rpm and 315 lbs./ft. of torque @ 2,800 rpm.*



*Super Coupe's supercharged engine employs a device called an intercooler. Located between the supercharger and the combustion chamber, the intercooler lowers the temperature of the air passing through it, thereby increasing its density and increasing horsepower even more.*

## THUNDERBIRD EQUIPMENT

Thunderbird is designed and equipped for driving comfort and pleasure. And value, too.

In addition to the list of standard features for each Thunderbird model, you have Preferred Equipment Packages: groups of popular features that include a substantial discount compared with the manufacturer's suggested retail prices of the items if they were purchased separately.

To further personalize your Thunderbird, choose from the selection of optional features available separately, some of which are shown here.

For your listening pleasure, you have the extraordinary clarity and performance of Thunderbird's optional compact disc player.

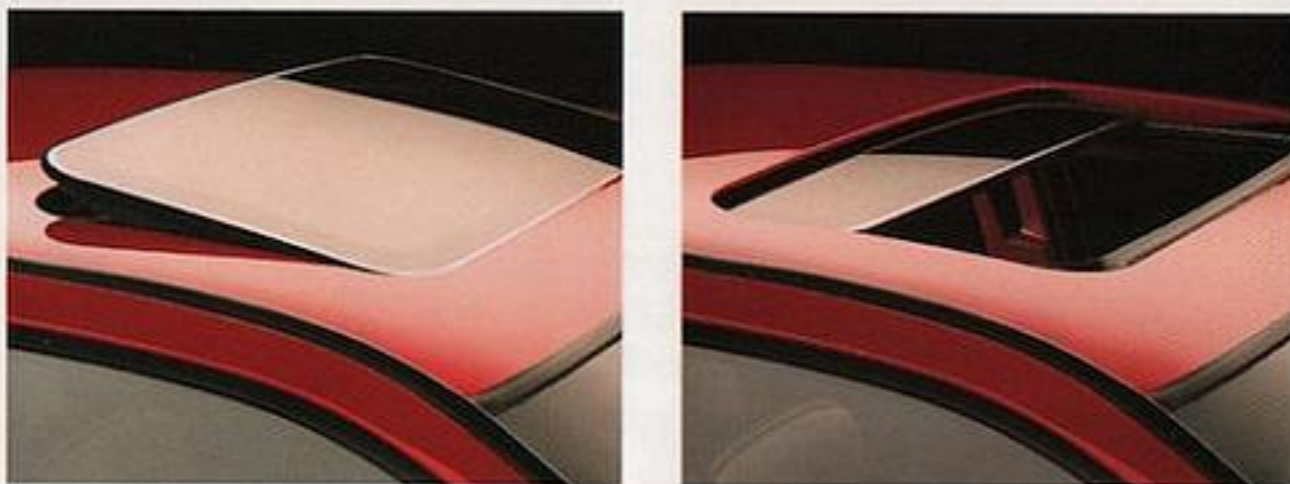


A split fold-down rear seat back is included with optional leather seating surfaces in Super Coupe. It allows access to the trunk from inside the car and permits longer cargo like skis or golf clubs.



For added security, Thunderbird offers a new optional remote keyless entry system.

The optional power moonroof can be flipped up or slid back into the roof panel. Dual illuminated visor vanity mirrors are included with the option.



The convenient automatic day/night rearview mirror is part of the optional autolamp group.



From left to right: styled road wheel covers (standard on LX), 15" directional cast aluminum wheels (included in the LX Preferred Equipment Package), and 16" cast aluminum wheels (standard on Super Coupe).

## PREFERRED EQUIPMENT PACKAGES AND OPTIONS\*

P = Included in package S = Standard O = Optional  
Note: Package content is subject to change.

	LX 155A	Super Coupe 157A
<b>Comfort and Convenience</b>		
Rear window defroster	P	P
Electronic automatic temperature control	P	P
Electronic instrument cluster	O	-
Power lock group (1)	S	P
Autolamp group (on/off/delay and automatic day/night mirror)	O	O
Light convenience group (2)	O	S
Dual illuminated visor vanity mirrors	P	O
Vehicle maintenance monitor (3)	O	O
Remote keyless entry system	O	O
Illuminated entry system	S	O
Anti-theft system	O	O
6-way power driver's seat	S	P
6-way power passenger's seat	O	O
Leather seating surfaces (with split fold-down rear seat-back in Super Coupe)	O	O
Speed control and tilt steering wheel	S	P
Power moonroof	O	O
Front floor mats	O	O
<b>Stereo Systems</b>		
Electronic AM/FM cassette radio with premium sound system	O	O
Ford JBL audio system	O	O
Compact disc player	O	O
Power antenna	P	P
<b>Performance/Tires and Wheels</b>		
Automatic overdrive transmission	S	O
5.0L HO EFI V-8 with automatic overdrive transmission	O	-
Anti-lock braking system	O	S
Traction-Lok axle	O	S
Cold weather group (4)	O	O
Directional cast aluminum wheels and P215/70R15 BSW tires	P	-
P225/60ZR16 BSW all-season performance tires	-	O

\* Package content differs in some areas. Please consult your dealer. (1) Power door locks, remote-control electric decklid release and remote-control electric fuel filler door. (2) Instrument panel courtesy light and engine compartment light. (3) Includes adaptive oil change indicator, low fuel light, low oil level light, low radiator coolant light, and low washer fluid light. (4) Engine block heater, rear window defroster, heavy-duty battery and alternator.

## COLORS AND TRIMS

EXTERIOR PAINT COLORS	INTERIOR TRIM COLORS				
	Opal Grey	Crystal Blue	Ruby Red	Mocha	Black
<b>Thunderbird LX</b>					
Oxford White	■	■	■	■	■
Cayman Green Clearcoat Metallic	■			■	■
Mocha Frost Clearcoat Metallic				■	■
Electric Red Clearcoat Metallic	■		■	■	■
Dark Plum Clearcoat Metallic	■			■	■
Crystal Blue Frost Clearcoat Metallic	■	■			■
Twilight Blue Clearcoat Metallic	■	■			■
Black Clearcoat (non-metallic)	■	■	■	■	■
Midnight Opal Clearcoat Metallic	■	■	■	■	■
Silver Clearcoat Metallic	■	■	■	■	■
<b>Thunderbird Super Coupe</b>					
Oxford White	■	■	■	■	■
Crimson Clearcoat (non-metallic)	■		■		■
Black Clearcoat (non-metallic)	■	■	■	■	■
Twilight Blue Clearcoat Metallic	■	■	■	■	■
Silver Clearcoat Metallic	■	■	■	■	■

## PRODUCT CHANGES

Following publication of the catalog, certain changes in standard equipment, options, prices and the like, or product delays, may have occurred which would not be included in these pages. Your Ford Dealer is your best source for up-to-date information. Ford Division reserves the right to change product specifications at any time without incurring obligations.

## MAJOR STANDARD FEATURES

### Thunderbird LX

3.8L V-6 engine with sequential multi-port electronic fuel injection, 140 horsepower  
Automatic overdrive transmission  
Long-spindle SLA front suspension with variable-rate coil springs, double-acting gas-pressurized shock absorbers, and a 1.06" diameter stabilizer bar  
Independent H-arm rear suspension with toe control link, variable-rate springs, gas-pressurized shock absorbers, 1.04" diameter stabilizer bar  
Speed-sensitive, variable-assist power steering  
Power front disc/rear drum brakes  
Stamped steel 15" x 6.0" wheels with styled road wheel covers and P205/70R15 BSW tires  
Long-lasting LED taillamps  
Body color bodyside protection moldings  
Front automatic shoulder belt restraint system with manual lap belt  
Full-length console with floor-mounted leather-wrapped shift  
Map/dome, luggage compartment, ashtray and driver's footwell lights  
Air conditioning and tinted glass  
Power windows  
Power door locks, remote decklid and fuel filler door releases (LX only)  
Interval windshield wipers  
Dual electric remote-control mirrors  
Luxury level door trim and carpeting  
Analog performance instrumentation with tachometer  
Integral fog lamps in front fascia  
Illuminated entry system (LX only)  
Rear seat courtesy lights  
Luxury cloth/leather/vinyl bucket seats with reciners and 6-way power for the driver (LX only)  
Rear seat center armrest  
Leather-wrapped luxury steering wheel  
Electronic AM/FM stereo search radio with cassette tape player and digital clock  
Speed control/tilt steering wheel (LX only)

### Super Coupe (features in addition to or in place of those in Thunderbird LX)

3.8L supercharged, intercooled V-6 with sequential multiple-port electronic fuel injection, 210 horsepower  
5-speed manual overdrive transmission  
Supercharger boost gauge in instrument cluster  
Automatic ride control suspension (in addition to standard suspension)  
Handling components: 1.10" diameter solid front stabilizer bar and 0.90" diameter solid rear stabilizer bar  
Traction-Lok rear axle  
Four-wheel power disc brakes with anti-lock system  
Directional cast aluminum 16" x 7.0" wheels and P225/60ZR black sidewall performance tires  
Narrow black bodyside moldings, lower bodyside cladding, and unique rear fascia  
Sport soft-feel steering wheel  
Light convenience group: instrument panel courtesy light and engine compartment light  
All-cloth articulated sport seats with power lumbar and seat-back bolster adjustments, plus 4-way adjustable head restraints (up/down; tilt forward/back)



## BUMPER-TO-BUMPER COVERAGE

The 36-month/36,000-mile bumper-to-bumper coverage of Ford's new vehicle limited warranty covers the complete vehicle (except tires, battery, service adjustments and other items covered under separate provisions) against defects in factory-supplied materials or workmanship. For complete information, see your Ford Dealer.



Optional Ford Extended Service Plans can cover major components on new Ford cars and light trucks for longer than the vehicle's basic warranty. Your dealer has full details.

## SPECIFY GENUINE FORD COLLISION REPAIR PARTS

Genuine Ford sheet metal and plastic replacement collision parts, such as hood, doors, fenders and bumper components, are the right choice — and for all the right reasons. Genuine Ford parts are equal to original parts in fit, finish, structural integrity and corrosion protection. Ford parts are the same as those used on new vehicles which are certified to meet all Federal Motor Vehicle Safety Standards. And all Ford sheet metal parts are covered by the exclusive Ford Lifelong Sheet Metal Guarantee. Ask your dealer to see a copy of this limited warranty. Don't settle for imitations. Ask your insurer to authorize genuine Ford collision parts.



Ford Credit offers advantageous financing and leasing arrangements for qualified customers, plus the convenience of making them right where you buy or lease your car — at your Ford Dealer.

## OPTIONS AVAILABILITY

Options shown or described in this catalog are available at extra cost and may be offered only in combination with other options or subject to additional ordering requirements or limitations.

